

Lens : optional



## New High-Performance DSP Superb Image Quality and Cost Performance Colour Camera

The stylish new WV-CP280 Series colour camera is equipped with a newly-developed DSP, providing improved image quality.

Utilizing the **Adaptive Black Stretch** technology, the DSP uses image processing to transform dark areas into natural, high contrast images in real time, while keeping crisp areas unchanged.

Horizontal resolution is 540 TV lines in colour mode. Minimum illumination intensity is 0.8 lux in colour mode with the F1.4 lens. This is due to the new DSP and the introduction of a new circuit. Signal-to-Noise ratio under low-light intensity has been improved. Furthermore, it is equipped with a Day/Night feature, allowing use in low-light situations\*.

The camera is equipped with various features including Back Light Compensation (BLC), Automatic Light Control (ALC) and Electronic Light Control (ELC) for a wide-range of installation environments.

Three selectable synchronization modes include Internal, Line-locked and Multiplexed Vertical Drive (VD2) synchronization. The camera supports 220 ~ 240 V AC (WV-CP280) and 24 V AC/12 V DC (WV-CP284) power supplies.

With a host of new and improved features, the WV-CP280 Series is the ideal camera for offices, retail locations, restaurants and shopping malls.

\* No IR filter shifting

### KEY FEATURES

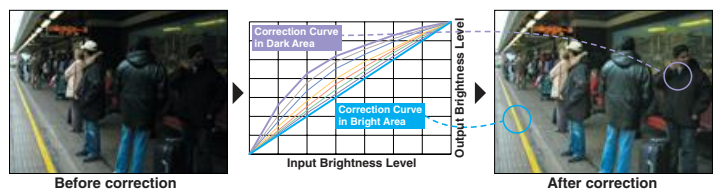
- 1/3-type CCD pick-up element featuring 752 (H) x 582 (V) pixels.
- Newly-developed Digital Signal Processor (DSP).
- Higher horizontal resolution of 540 TV lines in colour mode.
- Adaptive Black Stretch feature transforms shadows and dark areas into natural and crisp images in real time.
- Minimum illumination of 0.8 lux in colour mode with F1.4 optional lens.
- Day/Night function allows use in low light situations\*.
- Accuracy improvement of Auto-Tracing White Balance (ATW).
- Back Light Compensation (BLC).
- Automatic Light Control (ALC).
- Electronic Light Control (ELC) enables the use of inexpensive fixed iris lenses for more cost effective systems.
- Line-lock capability for roll-free pictures during systems operation switching.
- VD2 sync capability with Panasonic system products.
- CS-mount lenses. DC-servo ALC lenses.
- WV-CP280 Camera Series:
  - WV-CP280: 220 ~ 240 V AC, 50 Hz
  - WV-CP284: 24 V AC, 50 Hz or 12 V DC

### 1/3-type Variable Focal Lenses (optional)

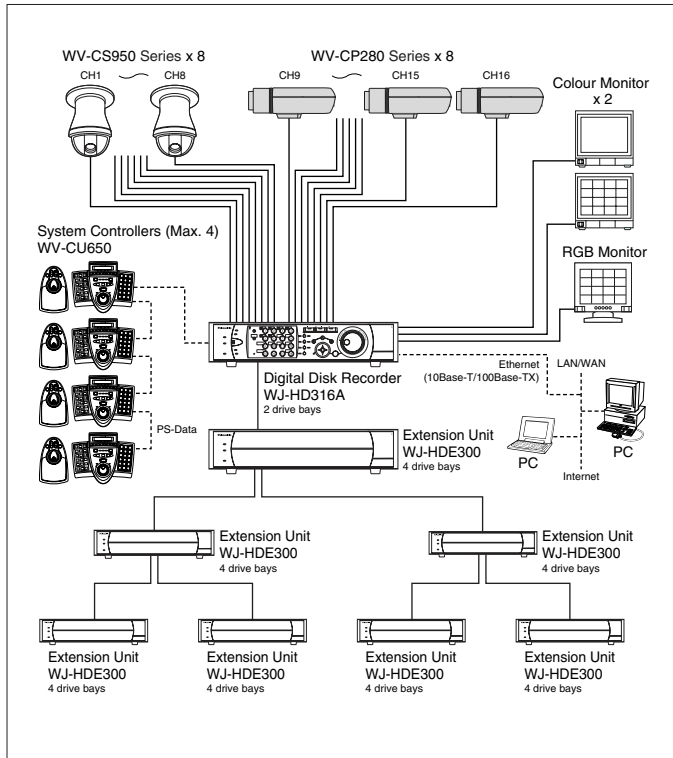


### Newly-developed DSP utilizes the Adaptive Black Stretch technology

The new DSP to automatically detect dark areas inside an image, applying the most suitable correction curve based on brightness data of areas surrounding the dark area. This image processing algorithm transforms shadows and dark areas into natural and crisp images in real time.



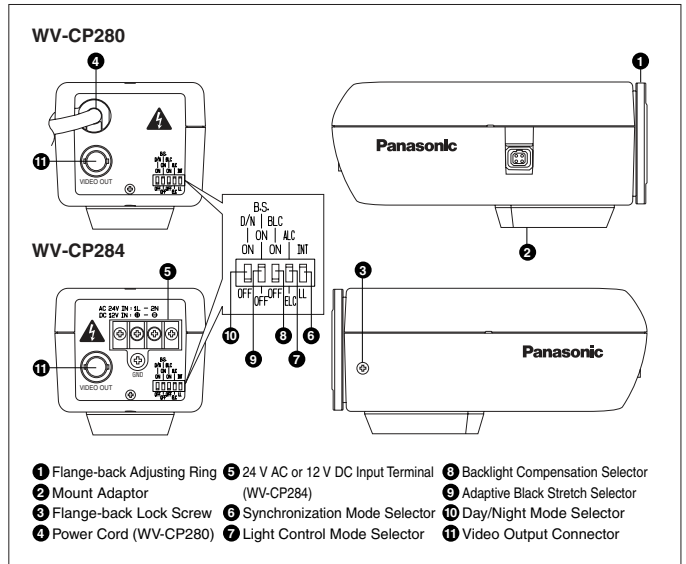
## SYSTEM EXAMPLE



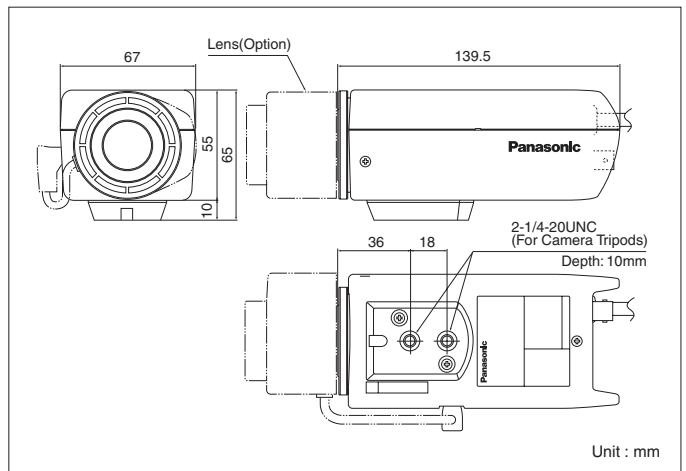
## SPECIFICATIONS PAL

Model No.	WV-CP280	WV-CP284
<b>Camera</b>	Image Sensor: 1/3-type interline transfer CCD	
	Effective Pixels: 752 (H) x 582 (V) pixels	
	Scanning Mode: 2:1 interlace scan	
	Scanning Area: 4.9 (H) x 3.7 (V) mm	
	Scanning Frequency: Horizontal: 15.625 kHz, Vertical: 50 Hz	
	Scanning Line: 625 lines	
	Horizontal Resolution: 540 TV lines (Colour)	
	Minimum Illumination: 0.6 lux (Colour) at F1.2, 0.4 lux (B/W) at F1.2	
	Signal-to-Noise Ratio: 50 dB (Equivalent to AGC Off, weight On)	
	White Balance: ATW	
	AGC/GAIN: Always ON	
	Light Control: ALC / ELC	
	Adaptive Black Stretch: ON / OFF	
	BLC: ON / OFF	
	Synchronization: Internal (INT), Multiplexed Vertical Drive (VD2), Line-Lock (LL)	
	Black and White Mode: ON / OFF (No IR filter shifting)	
	Lens Mount: CS-mount	
<b>Input/Output</b>	Video Output: 1.0 V [p-p] / PAL composite 75 Ω / BNC Connector Multiplexed VD2 capable	
<b>General</b>	Power Source and Power Consumption: 220 ~ 240 V AC 50 Hz, 3.2 W	24 V AC 50 Hz, 2.7 W 12 V DC, 220 mA
	Ambient Operating Temperature: -10 °C ~ +50 °C	
	Ambient Operating Humidity: 90 % or less (no condensation)	
	Dimensions (W x H x D): 67 mm x 65 mm x 139.5 mm (without lens)	
	Weight (approx.): 510 g	350 g

## MAJOR OPERATING CONTROLS & TERMINALS



## APPEARANCE





**مشاهده و خرید**  
**دوربین‌های مدار بسته**  
**آنالوگ پاناسونیک**

[بیا خرید آنلاین](#)

**مشاهده محصولات**



**IDEHAL**  
Gostar  
Idehal.org  
۰۲۱-۸۱۰۱۰

### Important

– Safety Precaution: carefully read the operating instructions and installation manual before using this product.

## DISTRIBUTED BY:

# Panasonic®

<http://panasonic.net/security/>

Printed in Japan (2N-765B)

- All TV pictures are simulated.
- Weights and dimensions are approximate.
- Specifications are subject to change without notice.
- These products may be subject to export control regulations.