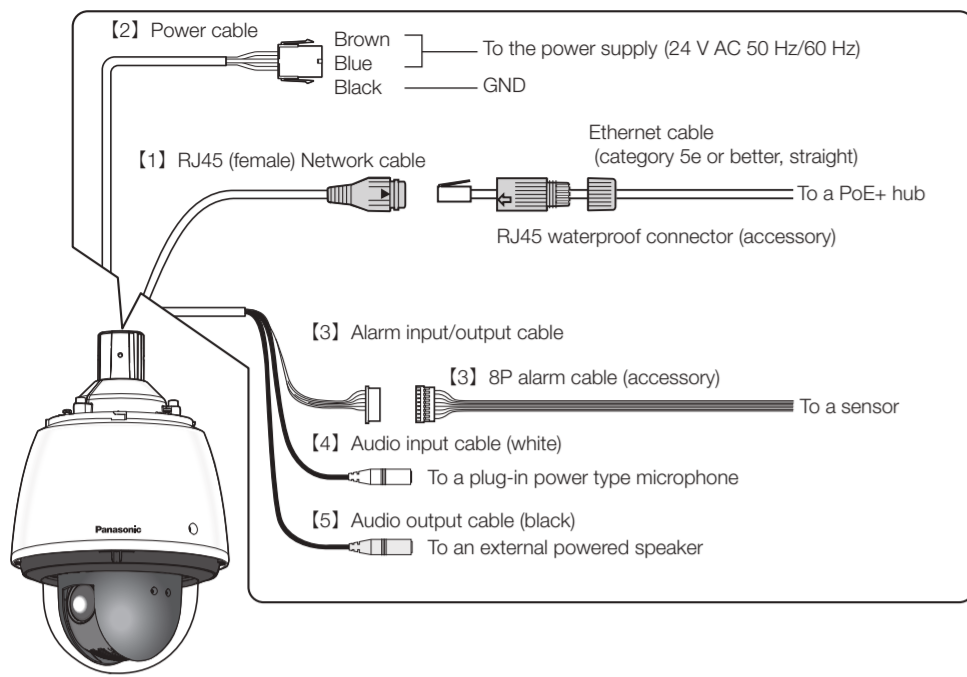
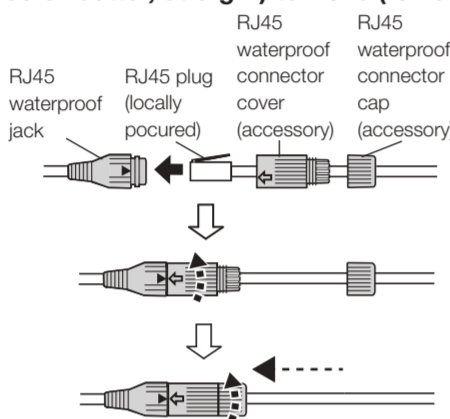


Step2 Making connections



[1] Connect an Ethernet cable (category 5e or better, straight) to RJ45 (female) network cable.

- Insert the RJ45 plug (locally procured) into the RJ45 waterproof jack connected to the camera.
- Connect the RJ45 waterproof connector cover (accessory) to the RJ45 waterproof jack and then rotate the RJ45 waterproof connector cover until the "←" marks align.
- Connect the RJ45 waterproof connector cap (accessory) to the RJ45 waterproof connector cover and rotate the RJ45 waterproof connector cap until there is no gap between it and the RJ45 waterproof connector cover.



IMPORTANT:

- If the procedure for the RJ45 waterproof connector (accessory) part is not correctly followed, the waterproofing may be compromised. Do not install the camera where the RJ45 waterproof connector is exposed to constant rain or moisture.
- When you remove the RJ45 waterproof connector, be sure to follow the reverse order of the connecting procedures. (The RJ45 waterproof jack may be damaged when you try to remove the RJ45 waterproof connector cover with its "←" mark matching "►" mark of the RJ45 waterproof jack.)

[2] Assemble 24 V AC connector kit (accessory) and connect it to the power cable of camera body as occasion demands.

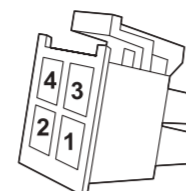
- Recommended wire rod and array of pins of connector housing (accessory)

AWG size (stranded wire)	#24 (0.22 mm ²)	#22 (0.33 mm ²)	#20 (0.52 mm ²)	#18 (0.83 mm ²)
Wire length	20 m	30 m	45 m	75 m

Power supply connector housing

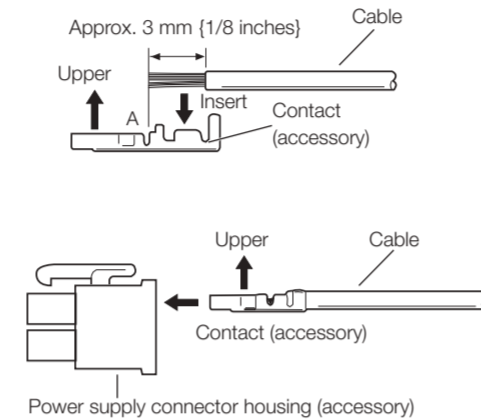
Pin No. Signal

1	24 V AC LIVE (Brown)
2	24 V AC NEUTRAL (Blue)
3	Ground (Black)
4	Not use



- How to assemble the 24 V AC power supply connector kit

- Remove approx. 3 mm (1/8 inches) of the outer jacket of the cable and twist the cable core to prevent the short circuit first.
- Insert the tip of the cable into the point A of the contact (accessory), and hold the cable using the cable clamp.
- Procure either of the following tools for clamping.
Molex manual clamp tool:
57027-5000 (For UL1015),
57026-5000 (For UL1007)
- After clamping the contact and the cable, insert the contact properly into the power supply connector housing.



Caution:

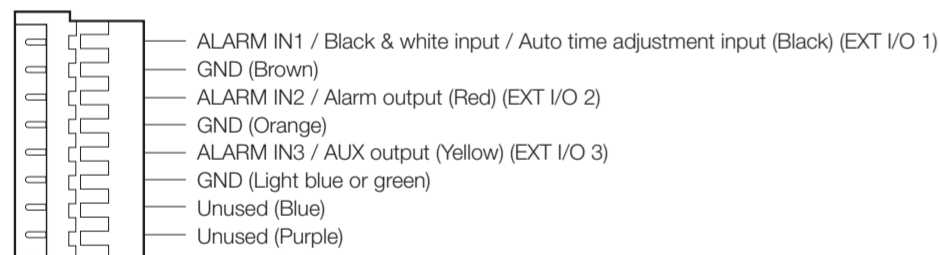
- A READILY ACCESSIBLE DISCONNECT DEVICE SHALL BE INCORPORATED TO THE EQUIPMENT POWERED BY 24 V AC POWER SUPPLY.
- ONLY CONNECT 24 V AC CLASS 2 POWER SUPPLY (UL 1310/CSA 223) or LIMITED POWER SOURCE (IEC/EN/UL/CSA 60950-1).
- ONLY CONNECT POWER OVER ETHERNET 54 V DC / PoE+ 54 V DC LIMITED POWER SOURCE (IEC/EN/UL/CSA 60950-1).

IMPORTANT:

- The 24 V AC power supply shall be insulated from the commercial AC power.
- Be sure to use the 24 V AC power supply connector kit (accessory) provided with this product.
- After processing 24 V AC connector, actually connect it to the camera and ensure it operates normally before using it.
- Be sure to fully insert the 24 V AC power supply connector into the power cable. Otherwise, it may damage the camera or cause malfunction.
- When installing the camera, make sure that excessive force is not applied to the power cable.

Step2 Making connections (continued)

[3] Connect 8P alarm cable (accessory) as occasion demands.



Note:

- The default of EXT I/O terminals is "Off". Refer to the Operating Instructions on the provided CD-ROM for further information about the EXT I/O terminal settings.

[4] Connect a microphone or external audio line to the audio input cable as occasion demands.

[5] Connect a powered speaker to the audio output cable as occasion demands.

Note:

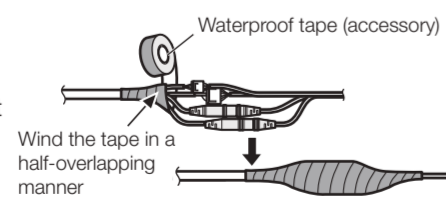
- The audio output can be switched to monitor output. The default is "Audio". Refer to the Operating Instructions on the provided CD-ROM for descriptions of how to switch the output.
- If the audio output is used for the monitor output, connect a ø3.5 mm stereo mini plug (locally procured) to the wire as shown in the right figure and use it.

[6] If you use a cable other than Ethernet cable, waterproof it.

The camera body is waterproof, but the cable ends and the inside of the mount bracket are not waterproof. Waterproof the connection part of each cable.

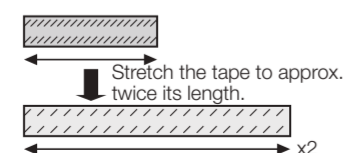
<Waterproof treatment>

Waterproof by using the waterproof tape (accessory) as shown in the right-hand figure.



IMPORTANT:

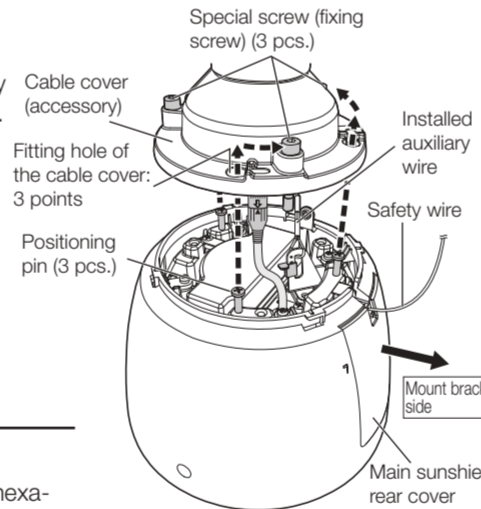
- Stretch the tape by approx. twice (see the illustration) and wind it around the cable. Insufficient tape stretch causes insufficient waterproofing.



Step3 Fixing the camera

[1] Attach the camera to the cable cover (accessory).

- Make the Panasonic logo mark on the camera body face the front side and the main sunshield rear cover (where SD memory card is inserted) face the mount bracket side.
- Insert the positioning pins on the upper part of camera into cable cover attachment hole.
- Rotate the camera part in a clockwise direction when looking from the bottom and confirm it is temporarily fixed.
- Tighten it securely with 3 special screws (fixing screws) of the cable cover.
Recommended tightening torque:
2.45 N·m {1.81 lbf·ft}

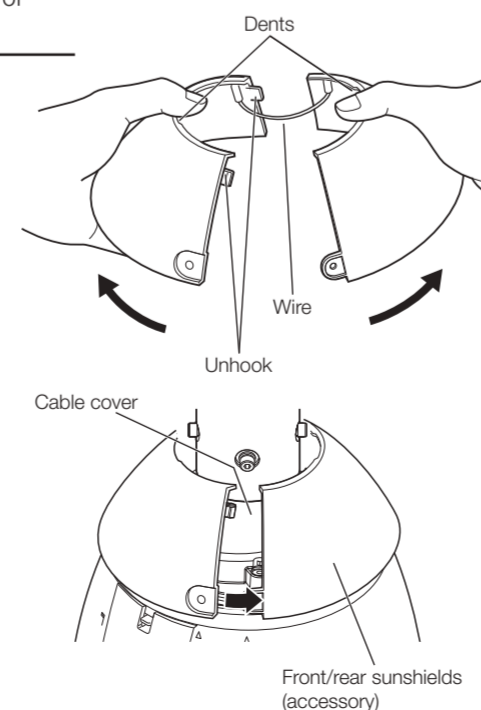


Note:

- Special screw (fixing screw): As these are hexagon screws, use a hexagon wrench (locally procured) "for M6".
- Bend it to the inside of the cable cover to prevent the installed auxiliary wire and the wiring section from being caught in the periphery of the cable cover.

[2] Attach the front/rear sunshields (accessory) to the camera.

- Put a finger on the dent of front/rear sunshields and unhook both sides to split it. One side is fixed with wire to prevent loss.
- Locate the front/rear sunshields to the position that covers the cable cover.

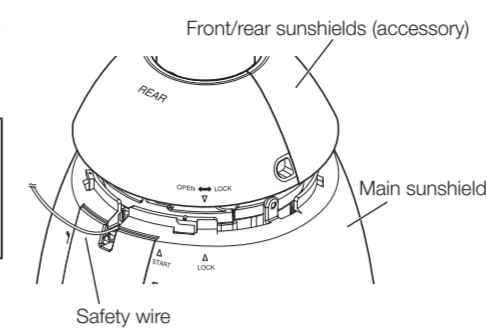


Step3 Fixing the camera (continued)

- Joint both sides of front/rear sunshields (accessory). First, hook the wire side, and then hook the other side.

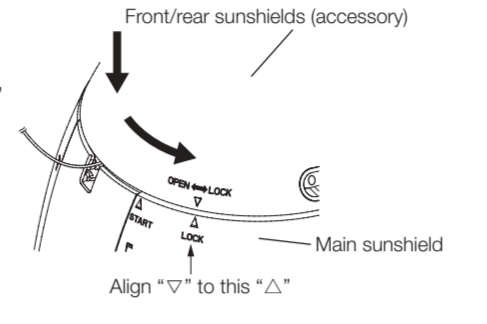
IMPORTANT:

- Joint both sides of the front/rear sunshields (accessory) before fitting in the main sunshield.
- Do not trap the safety wire inside.

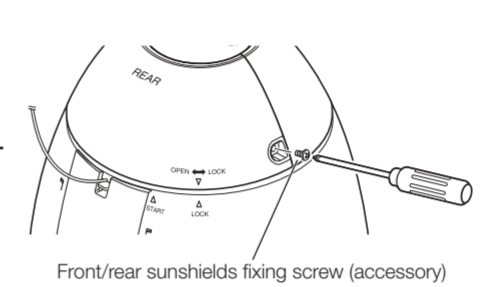


- Fix the front/rear sunshields on the camera temporarily.

- Align the arrow (▽) with the arrow (△) of "START" on the main sunshield to embed it, and then rotate it toward arrow (△) of "LOCK" until it "clicks".



- Fix the front/rear sunshields on the camera using the front/rear sunshields fixing screw (accessory). Recommended tightening torque:
0.72 N·m {0.53 lbf·ft}



Note:

- When removing the front/rear sunshields (accessory), perform steps ①-⑤ in the reverse order.

- When the camera has been installed, remove the protection sheet from the dome cover. After removal, be sure not to touch the clear part of the dome cover.

- Turn on the power supply of camera and check the screens of camera following Step 4 "Configure the network settings" and adjust the angular field of view. For details on adjustment of angular field of view of camera, refer to Operating Instructions on the provided CD-ROM.

Step4 Configure the network settings

Configure the setting of the camera after temporarily invalidating the firewall software. Once the camera configuration is completed, return to the original state. Contact the network administrator or your Internet service provider for information about configuring the settings of the network.

[1] Insert the provided CD-ROM into the CD-ROM drive of your PC.

- The License Agreement will be displayed. Read the Agreement and choose "I accept the term in the license agreement", and click [OK].
⇒ The launcher window will be displayed.



Note:

- If the launcher window is not displayed, double click the "CDLauncher.exe" file on the CD-ROM.
- Refer to "Using the CD-ROM" in the Operating Instructions on the provided CD-ROM for further information about CDLauncher.

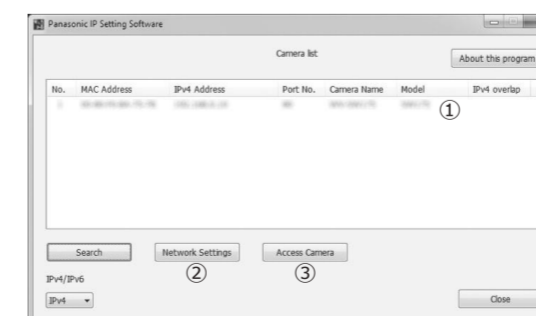
[2] Click the [Run] button next to [IP Setting Software].

⇒ [Panasonic IP Setting Software] screen will be displayed.
The MAC Address / IP address of the detected camera will be displayed.

[3] Select the camera you want to configure (①), and click [Network Settings] (②) to change the network settings. Then, click [Access Camera] (③).

Note:

- Select the camera with same MAC address as the MAC address printed on the camera that you want to configure.



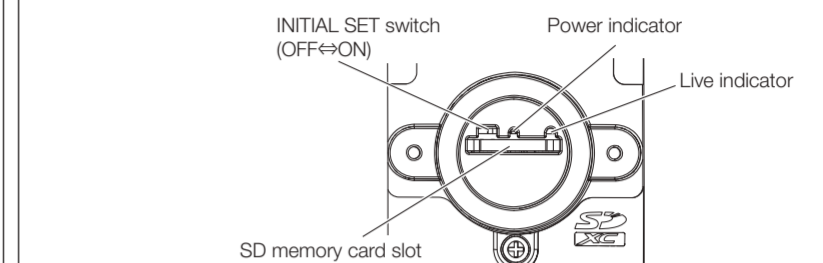
Precautions

- Attach the "Rain wash coating caution label" carried by the camera to the surface of the camera (Refer to the illustration below).

请贴在本产品的侧面。
Please put on the side of the product.
製品外觀などに貼付けてください。



Live indicator



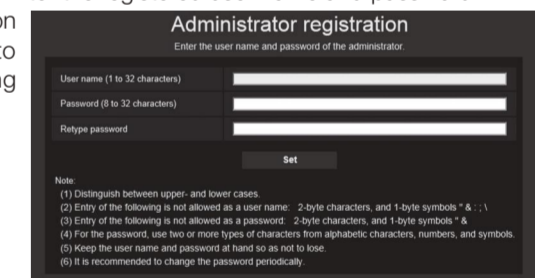
The live indicator will light or blink as follows depending on the camera status.

Camera operation status	Live indicator status
When the power is turned on	Before the network connection is established Lights orange → Lights off → Blinks orange → Lights orange
	When the network connection is established Lights orange → Lights off → Blinks orange → Blinks green → Lights green
During the standby or connection (Cable is not connected.)	Lights orange
During the standby or connection (Cable is connected.)	Lights green
During the upgrade process	Blinks orange
Initialization (When the network connection is established)	Lights orange → Lights off → Blinks orange → Lights orange → Blinks orange → Blinks green → Lights green
Port forwarding error caused by the UPnP function	Blinks orange (in 2 seconds intervals (on for 1 second / off for 1 second))
Trouble happening on the camera	Blinks red
Failure in writing data on the SD memory card	Lights red

[4] When the administrator registration window is displayed, enter "User name", "Password" and "Retype password" by following the instructions displayed on the screen, and then click the [Set] button.

Please keep your user name and password in a safe place free from public view to ensure security.

After completing the registration, the camera will automatically be re-connected and the authentication window will be displayed. Enter the registered user name and password. The default setting of user authentication is "On". For further information, refer to the "Preface" section in the Operating Instructions.



IMPORTANT:

- When the camera is used over the Internet, setting user authentication to "Off" may lead to unintended access by a third party. Please leave user authentication set to "On".

[5] When live images from the camera are displayed, the network connection is complete.

Note:

For more information on the following content, refer to the Operating Instructions.

- Please set [Time & date] on the [Basic] screen of "Setup" before using the camera.
- It is impossible to display H.265 (or H.264) or MJPEG images, receive/transmit audio, display logs, and use full-screen display when the viewer software "Network Camera Viewer 4S" is not installed on the PC. Push the [Viewer Software] button on the live screen to install the software as necessary.
- Depending on the environment of your PC, it may take time for images to be displayed.
- At the time of purchase, [Audio transmission mode] is set to "Off". If needed, change the setting on the [Audio] tab on the "Image/Audio" page in "Setup".
- Due to security enhancements in "IP Setting Software", "Network settings" cannot be changed when around 20 minutes have passed after turning on the power of the camera to be configured. (When the effective period is set to "20 min" in the "Easy IP Setup accommodate period".) However, settings can be changed after 20 minutes for cameras in the initial set mode.

If images are not displayed, set the Web browser to compatibility view. For details on how to configure, refer to our website (<https://security.panasonic.com/support/info/>)