

# Panasonic

## BUSINESS


### WV-U2142L



خرید دوربین‌های  
تحت شبکه پاناسونیک

پا خرید آنلاین

مشاهده محصولات



IDEHAL  
Gostar  
Idehal.org  
۰۲۱-۸۱۰۱۰

## 4MP Varifocal Lens Indoor Dome Network Camera

Panasonic WV-U2142L captures the highest quality 4MP resolution images in even very challenging and dynamic environments. Intelligent Auto (iA) monitors scene dynamics and motion to adjust key camera settings automatically in real-time reducing distortion such as motion blur on moving objects. By adopting H.265 Smart Coding technology, bandwidth efficiency is intelligently increased for longer recording and less storage.

### Extreme image quality allows evidence to be captured even under challenging conditions

- Auto Shutter speed control for fast moving objects
- Sharp and clear images of a walking person day & night
- Outstanding low light performance in true color with low noise for night time applications
- Super Dynamic 102dB for backlit situations involving headlights and shadows on night streets

### Extreme bandwidth compression with Panasonic H.265 Smart Coding

- Longer recording and less storage compared to any H.264 based compression techniques
- Self-learning ROI\* encoding (Auto VIQS) detects movement within the image and compresses the areas with little motion in order to reduce transmitted data while maintaining the quality of the image.

\*Region of Interest

### Key Features

- 4-megapixel images up to 30fps
- 2.5x built-in motorized zoom and motorized focus lens
- iA (intelligent Auto)
- Super Dynamic 102dB
- Color night vision (0.019 to 0.3 lx)
- H.265 Smart Coding
- Corridor mode  
(90 degrees or 270 degrees in image rotation)
- Onvif Profile G / T

### Industry examples

- Retail
- Education
- Public safety
- Bank / Hospital / Building



PRO

# Specifications

<b>Camera</b>	Image Sensor	Approx. 1/2.7 type CMOS image sensor																		
	Minimum Illumination	Color : 0.3 lx, BW : 0.12 lx (50IRE, F2.0, Maximum shutter : Off (1/30s), AGC : 11) BW : 0 lx (50IRE, F2.0, Maximum shutter : Off (1/30 s), AGC : 11, when the IR LED is lit) Color : 0.019 lx, BW : 0.0075 lx (50IRE, F2.0, Maximum shutter : max. 16/30s, AGC : 11) *1																		
	White Balance	AWC (2,000 - 10,000 K), ATW1 (2,700 - 6,000 K), ATW2 (2,000 - 6,000 K)																		
	Maximum shutter	Max. 1/10000 s to Max. 16/30 s																		
	Intelligent Auto	On / Off																		
	Super Dynamic	On / Off, The level can be set in the range of 0 to 31.																		
	Dynamic Range	Max. 102 dB (Super Dynamic : On, Level: 31)																		
	Adaptive Black Stretch	—																		
	Back light compensation / High light compensation	BLC (Back light compensation) / HLC (High light compensation) / Off (only when Super dynamic / Intelligent Auto : Off)																		
	Fog compensation	On/ Off, The level can be set in the range of 0 to 8. (only when Intelligent auto / auto contrast adjust: Off)																		
	Maximum gain (AGC)	The level can be set in the range of 0 to 11.																		
	Color/BW (ICR)	Off / On (IR Light Off) / On (IR Light On) / Auto1 (IR Light Off) / Auto2 (IR Light On) / Auto3 (SCC)																		
	IR LED Light	High / Middle / Low / Off, Maximum irradiation distance : 20 m (Approx. 65 ft)																		
	Digital Noise Reduction	The level can be set in the range of 0 to 255.																		
	Video Motion Detection (VMD)	On / Off, 4 areas available																		
	Scene Change Detection(SCD)	On / Off, 1 areas available																		
	Privacy Zone	On / Off, Up to 8 zones available																		
Image rotation*2	0° (Off) / 90° / 180° (Upside-down) / 270°																			
Camera Title (OSD)	On / Off, Up to 20 characters (alphanumeric characters, marks)																			
<b>Lens</b>	Focal length	2.9 mm - 7.3 mm (1/8inches-9/32inches)																		
	Zoom ratio	2.5x Optical zoom (Motorized zoom / Motorized focus) 3.3x FHD Extra Optical Zoom (when resolution is 1920x1080)																		
	Digital (electronic) zoom	Choose from 3 levels of x1, x2, x4																		
	Angular Field of View	<b>[16 : 9 mode]</b> * [4:3 mode] is not supported. Horizontal : 44° (TELE) - 102° (WIDE) Vertical : 25° (TELE) - 57° (WIDE)																		
	Maximum Aperture Ratio	1 : 2.0 (WIDE) - 1 : 3.0 (TELE)																		
	Focusing Range	1 m (39-3/8 inches) - ∞																		
<b>Adjusting Angle</b>	Horizontal (PAN) angle	±180°, Vertical (TILT) angle: -30° ~ +85°																		
	Azimuth (YAW) angle	±100°																		
<b>Browser GUI</b>	Camera Control	Brightness																		
	GUI / Setup Menu Language	English, Italian, French, German, Spanish, Portuguese, Russian, Chinese, Japanese																		
<b>Network</b>	Network IF	10Base-T / 100Base-TX, RJ45 connector																		
	Resolution	<b>[16 : 9 mode]</b> * [4:3 mode] is not supported. 2560x1440, 1920x1080, 640x360, 320x180																		
	H.265	Constant bit rate / VBR / Frame rate / Best effort																		
	Transmission Mode	Transmission Type	Unicast / Multicast																	
		Max. frame rate for each stream	<table border="1"> <thead> <tr> <th></th> <th>Stream(1)</th> <th>Stream(2)</th> <th>Stream(3)</th> <th>JPEG(1)</th> <th>JPEG(2)</th> </tr> </thead> <tbody> <tr> <td>Single-stream</td> <td>30fps</td> <td>Off</td> <td>Off</td> <td>3fps</td> <td>3fps</td> </tr> <tr> <td>Multi-stream</td> <td>15fps</td> <td>15fps</td> <td>15fps</td> <td>3fps</td> <td>3fps</td> </tr> </tbody> </table>		Stream(1)	Stream(2)	Stream(3)	JPEG(1)	JPEG(2)	Single-stream	30fps	Off	Off	3fps	3fps	Multi-stream	15fps	15fps	15fps	3fps
		Stream(1)	Stream(2)	Stream(3)	JPEG(1)	JPEG(2)														
Single-stream	30fps	Off	Off	3fps	3fps															
Multi-stream	15fps	15fps	15fps	3fps	3fps															
JPEG	Image Quality	10 steps																		
Smart Coding	GOP(Group of pictures) control: On(Frame rate control) / On(Advanced) / On(Mid.) / On(Low) / Off <b>AUTO VIQS: On/ Off</b>																			

<b>Network</b>	Audio Compression	—
	Audio transmission mode	—
	Supported Protocol	IPv6 : TCP/IP, UDP/IP, HTTP, HTTPS, RTP, SMTP, DNS, NTP, SNMP, DHCPv6, MLD, ICMP, ARP, IEEE 802.1X, DiffServ IPv4 : TCP/IP, UDP/IP, HTTP, HTTPS, RTSP, RTP, RTSP/RTCP, SMTP, DHCP, DNS, DDNS, NTP, SNMP, UPnP, IGMP, ICMP, ARP, IEEE 802.1X, DiffServ
	No. of Simultaneous Users	Up to 14 users (Depends on network conditions)
	SDXC/SDHC/SD Memory Card (Option)	H.265 recording: Manual REC / Alarm REC (Pre/Post) / Schedule REC / Backup upon network failure Compatible microSDXC/microSDHC Memory Card: Panasonic 32 GB*, 64 GB** model *microSDXC card, **microSDHC card
	Mobile Terminal Compatibility	iPad, iPhone, Android™ terminals
	ONVIF Profile	G / T
<b>Alarm</b>	Alarm Source	VMD alarm, SCD alarm, Command alarm
	Alarm Actions	SDXC/SDHC/SD memory recording, E-mail notification, HTTP alarm notification indication on browser, Panasonic alarm protocol output
<b>Input/ Output</b>	Monitor Output (for adjustment)	—
	Audio input	—
	Audio Output	—
	External I/O Terminals	—
<b>General</b>	Safety	UL (UL60950-1), c-UL (CSA C22.2 No.60950-1), CE, IEC60950-1
	EMC	FCC (Part15 ClassA), ICES003 ClassA, EN55032 ClassB, EN55024
	Power Source and Power Consumption	PoE (IEEE802.3af compliant) Device : DC48 V 135 mA, Approx. 6.5 W (Class 0 device)
	Ambient Operating Temperature	-10 °C to +50 °C (+14 °F to +122 °F) {Power On range: 0 °C to +50 °C (+32°F to +122 °F)}
	Ambient Operating Humidity	10 to 90 % (no condensation)
	Dimensions	ø129.5 mm x 101 mm (H) (ø5-3/32 inches x 3-31/32 inches (H)) Dome radius 40 mm (1-9/16 inches)
	Mass (approx.)	Approx. 350 g (0.77 lbs)
	Finish	Main body : ABS resin, i-PRO white Dome section : Acrylic resin, Clear

\*1 Converted value

\*2 When "4:3(30fps mode)" or "4:3(25fps mode)" is selected for "Image capture mode", "90 °" and "270 °" cannot be selected.

## Optional Accessories

### Mount Bracket / Dome Cover

<b>Ceiling Mount Bracket</b> <b>WV-Q105A</b> 	<b>Ceiling Mount Bracket (Embedded)</b> <b>WV-QEM100-W</b> (i-PRO white) 	<b>Ceiling Mount Bracket</b> <b>WV-QCL100-W</b> (i-PRO white) 
<b>Mount Bracket</b> <b>WV-QSR501-W</b> (i-PRO white) (This bracket requires WV-QCL501-W, WV-QWL501-W or WV-QAT500-W.) 	<b>Ceiling Mount Bracket</b> <b>WV-QCL501-W</b> (i-PRO white) (This bracket requires WV-QSR501-W.) 	<b>Wall Mount Bracket</b> <b>WV-QWL501-W</b> (i-PRO white) (This bracket requires WV-QSR501-W.) 
<b>Wall Mount Bracket</b> <b>WV-QWL500-W</b> (i-PRO white) 	<b>Adapter Box</b> <b>WV-QJB500-W</b> (i-PRO white) (This bracket requires WV-QWL500-W.) 	<b>Pole Mount Bracket</b> <b>WV-QPL500-W</b> (i-PRO white) (This bracket requires WV-QWL500-W.) 
<b>Corner Mount Bracket</b> <b>WV-QCN500-W</b> (i-PRO white) (This bracket requires WV-QWL501-W.) 	<b>Attachment pipe (For 3rd party bracket)</b> <b>WV-QAT500-W</b> (i-PRO white) (This bracket requires WV-QSR501-W.) 	<b>Dome Cover (Smoke type)</b> <b>WV-CF55A</b> 

• Brackets are available in four colors, Fine silver, Light gray, Gray and i-PRO white. It is possible to use them in different color combinations.

### Trademarks and registered trademarks

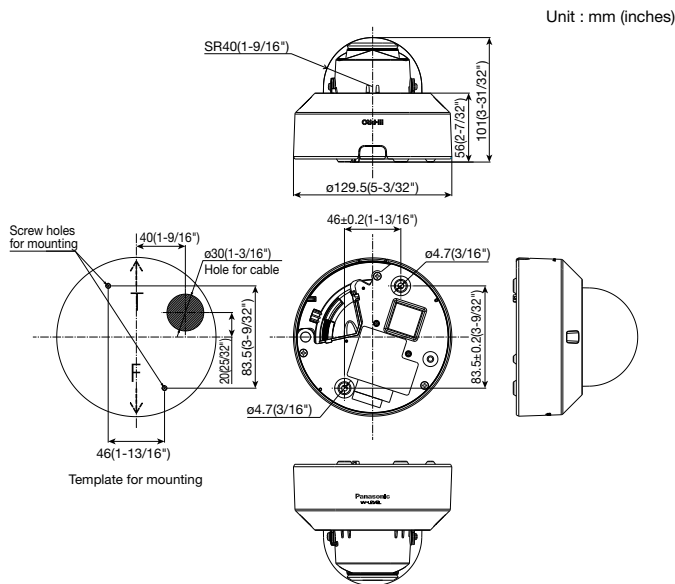
- iPad and iPhone are trademarks of Apple Inc., registered in the U.S. and other countries.
- Android is a trademark of Google LLC.
- ONVIF is trademarks or registered trademarks of Onvif Inc.
- All other trademarks identified herein are the property of their respective owners.

### Important

- Safety Precaution : Carefully read the Basic Information, Installation Guide and Operating Instructions before using this product.
- Panasonic cannot be responsible for the performance of the network and/or other manufacturers' products used on the network.

• Masses and dimensions are approximate. • Specifications are subject to change without notice.

## Appearance



**Panasonic**

Panasonic Corporation



Panasonic i-PRO Sensing Solutions Co., Ltd.

<https://ipro.panasonic.com>

<https://security.panasonic.com>

<https://www.linkedin.com/company/i-pro-sensing-solutions-co-ltd/>

(2A-235DA)