


خرید دوربین‌های
تحت شبکه پاناسونیک

پای خرید آنلاین

مشاهده محصولات



IDEHAL
Gostar
Idehal.org
۰۲۱-۸۱۰۱۰

iA(Intelligent Auto) H.265 Varifocal Camera

Panasonic WV-U2132L captures the highest quality images in even very challenging and dynamic environments. Intelligent Auto (iA) monitors scene dynamics and motion to adjust key camera settings automatically in real-time reducing distortion such as motion blur on moving objects. By adopting H.265 Smart Coding technology, bandwidth efficiency is intelligently increased for longer recording and less storage.

Extreme image quality allows evidence to be captured even under challenging conditions

- Auto Shutter speed control for fast moving objects
- Sharp and clear images of a walking person day & night
- Outstanding low light performance in true color with low noise for night time applications
- Super Dynamic 120dB for backlit situations involving headlights and shadows on night streets

Extreme bandwidth compression with Panasonic H.265 Smart Coding

- Longer recording and less storage compared to any H.264 based compression techniques
- Self-learning ROI* encoding (Auto VIQS) detects movement within the image and compresses the areas with little motion in order to reduce transmitted data while maintaining the quality of the image.

*Region of Interest

Key Features

- Full HD 1080p up to 30fps
- 2.5x built-in motorized zoom and motorized focus lens
- iA (intelligent Auto)
- Super Dynamic 120dB
- Color night vision (0.006 to 0.1 lx)
- H.265 Smart Coding
- Corridor mode
(90 degrees or 270 degrees in image rotation)

Industry examples

- Retail
- Education
- Public safety
- Bank / Hospital / Building



Specifications

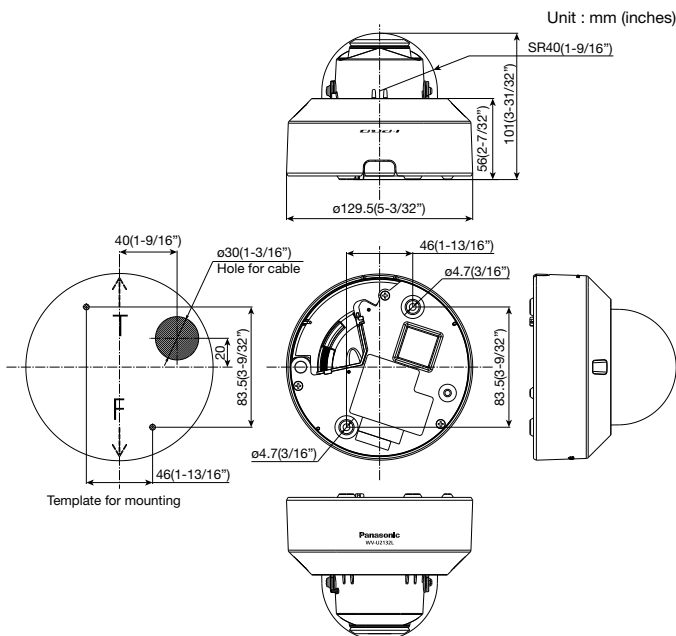
Camera	Image Sensor	Approx. 1/3 type CMOS image sensor				
	Minimum Illumination	Color : 0.1 lx, BW : 0.04 lx (50IRE, F2.0, Maximum shutter : Off (1/30s), AGC : 11) BW : 0 lx (50IRE, F2.0, Maximum shutter : Off (1/30 s), AGC : 11, when the IR LED is lit) Color : 0.006 lx, BW : 0.0025 lx (50IRE, F2.0, Maximum shutter : max. 16/30s, AGC : 11)* ¹				
	White Balance	ATW1/ ATW2/ AWC				
	Maximum shutter	[30fps mode] Max. 1/10000 s to Max. 16/30 s [25fps mode] Max. 1/10000 s to Max. 16/25 s				
	Intelligent Auto	On / Off				
	Super Dynamic	On / Off, the level can be set in the range of 0 to 31.				
	Dynamic Range	Max.120 dB (Super Dynamic : On, Level: 31)				
	Adaptive Black Stretch	—				
	Back light compensation / High light compensation	BLC (Back light compensation) / HLC (High light compensation) / Off (only when Super dynamic / Intelligent Auto : Off)				
	Fog compensation	On/ Off The level can be set in the range of 0 to 8, (only when Intelligent auto / auto contrast adjust: Off)				
	Maximum gain (AGC)	The level can be set in the range of 0 to 11.				
	Color/BW (ICR)	Off / On (IR Light Off) / On (IR Light On) / Auto1 (IR Light Off) / Auto2 (IR Light On) / Auto3 (SCC)				
	IR LED Light	High / Middle / Low / Off, Maximum irradiation distance : 30 m (Approx. 100 ft)				
	Digital Noise Reduction	The level can be set in the range of 0 to 255.				
	Video Motion Detection (VMD)	On / Off, 4 areas available				
	Privacy Zone	On / Off (up to 8 zones available)				
	Image rotation ²	0° (Off) / 90° / 180° (Upside-down) / 270°				
	Camera Title (OSD)	On / Off Up to 20 characters (alphanumeric characters, marks)				
	Lens	Focal length	2.9 mm – 7.3 mm (1/8inches-9/32inches)			
		Optical zoom	2.5x (Motorized zoom / Motorized focus)			
Extra optical zoom		2.5x – 3.8x (when resolution is 1280x720)				
Digital (electronic) zoom		Choose from 3 levels of x1, x2, x4				
Angular Field of View		[16 : 9 mode] Horizontal : 43° (TELE) – 100° (WIDE) Vertical : 24° (TELE) – 56° (WIDE) [4 : 3 mode] Horizontal : 36° (TELE) – 83° (WIDE) Vertical : 27° (TELE) – 62° (WIDE)				
Maximum Aperture Ratio		1 : 2.0 (WIDE) – 1 : 3.0 (TELE)				
Focusing Range		1 m (39-3/8 inches) – ∞				
Adjusting Angle		Horizontal (PAN) angle: ±180°, Vertical (TILT) angle: -30° ~ +85° Azimuth (YAW) angle: ±100°				
Browser GUI	Camera Control	Brightness				
	GUI / Setup Menu Language	English, Italian, French, German, Spanish, Portuguese, Russian, Chinese, Japanese				
Network	Network IF	10Base-T / 100Base-TX, RJ45 connector				
	Resolution H.265	[16 : 9 mode] 1920x1080, 1280x720, 640x360, 320x180 [4 : 3 mode] 1600x1200, 1280x960, VGA, QVGA				
	H.265	Transmission Mode	Constant bit rate / VBR / Frame rate / Best effort			
		Transmission Type	Unicast / Multicast			
	Max. frame rate for each stream	Stream(1)	Stream(2)	Stream(3)	JPEG(1)	JPEG(2)
		Single-stream	30fps	Off	Off	3fps
Multi-stream	15fps	15fps	15fps	3fps	3fps	
JPEG	Image Quality	10 steps				
Smart Coding	GOP(Group of pictures) control: On(Frame rate control)/ On(Advanced)/ On(Mid)/ On(Low)/ Off AUTO VIQS: On/ Off					

Network	Audio Compression	—
	Audio transmission mode	—
Supported Protocol	IPv6	TCP/IP, UDP/IP, HTTP, HTTPS, SMTP, DNS, NTP, SNMP, DHCPv6, RTP, MLD, ICMP, ARP, IEEE 802.1X, DiffServ
	IPv4	TCP/IP, UDP/IP, HTTP, HTTPS, RTSP, RTP, RTSP/RTCP, SMTP, DHCP, DNS, DDNS, NTP, SNMP, UPnP, IGMP, ICMP, ARP, IEEE 802.1X, DiffServ
No. of Simultaneous Users	Up to 14 users (Depends on network conditions)	
SDXC/SDHC/SD Memory Card (Option)	H.265 recording: Manual REC / Alarm REC (Pre/Post) / Schedule REC / Backup upon network failure Compatible microSDXC/microSDHC Memory Card: Panasonic 32 GB*, 64 GB**model *microSDHC card, **microSDXC card	
	Mobile Terminal Compatibility	iPad, iPhone, Android™ terminals
Alarm	Alarm Source	VMD alarm, SCD alarm, Command alarm
	Alarm Actions	SDXC/SDHC/SD memory recording, E-mail notification, HTTP alarm notification Indication on browser, Panasonic alarm protocol output
Input/ Output	Monitor Output (for adjustment)	—
	Audio input	—
	Audio Output	—
	External I/O Terminals	—
General	Safety	UL (UL60950-1), c-UL (CSA C22.2 No.60950-1), CE, IEC60950-1
	EMC	FCC (Part15 ClassA), ICES003 ClassA, EN55032 ClassB, EN55024
	Power Source and Power Consumption	PoE (IEEE802.3af compliant) Device : DC48 V 120 mA, Approx. 5.8 W (Class 2 device)
	Ambient Operating Temperature	-10 °C to +50 °C (+14 °F to +122 °F) {Power On range: 0 °C to +50 °C (+32°F to +122 °F)}
	Ambient Operating Humidity	10 to 90 % (no condensation)
	Dimensions	ø129.5 mm x 101 mm (H) (ø5-3/32 inches x 3-31/32 inches (H)) Dome radius 40 mm (1-9/16 inches)
	Mass (approx.)	Approx. 350 g (0.77 lbs)
	Finish	Main body : ABS resin, i-PRO white Dome cover : acrylic resin, Clear

*1 Converted value

*2 When "4:3(30fps mode)" or "4:3(25fps mode)" is selected for "Image capture mode", "90 °" and "270 °" cannot be selected.

Appearance



Optional Accessories

Mount Bracket / Dome Cover

Ceiling Mount Bracket WV-Q105A 	Ceiling Mount Bracket (Embedded) WV-QEM100-W (i-PRO white) 	Ceiling Mount Bracket WV-QCL100-W (i-PRO white) 
Wall Mount Bracket WV-QWL500-W (i-PRO white) 	Dome Cover (Smoke type) WV-CF5SA 	

Trademarks and registered trademarks

- iPad and iPhone are trademarks of Apple Inc., registered in the U.S. and other countries.
- Android is a trademark of Google LLC.
- ONVIF and the ONVIF logo are trademarks or registered trademarks of Onvif Inc.
- All other trademarks identified herein are the property of their respective owners.

Important

- Safety Precaution : Carefully read the Basic Information, Installation Guide and Operating Instructions before using this product.
- Panasonic cannot be responsible for the performance of the network and/or other manufacturers' products used on the network.

• Masses and dimensions are approximate. • Specifications are subject to change without notice.

DISTRIBUTED BY :



Panasonic i-PRO Sensing Solutions Co., Ltd.

<https://ipro.panasonic.com>

<https://security.panasonic.com>

<https://www.facebook.com/Panasonicnetworkcamera/>

(2A-234CA)