

Panasonic

BUSINESS

WV-S3131L



باز خرید آنلاین

خرید دوربین‌های
تحت شبکه پاناسونیک

مشاهده محصولات



iA (intelligent Auto) H.265 Compact Dome Camera

Panasonic WV-S3131L is a compact & simple design multifunction camera that achieves high visibility even under extreme conditions and can be placed in a small space without damaging the landscape. Intelligent Auto (iA) allows the camera to automatically adjust the key settings in real-time depending on the scenery and movement, reducing distortion such as motion blur and moving objects. New industry-leading 144dB dynamic range delivers balanced scene exposure in dynamic and extreme-backlit lighting environments. In addition, color night vision provides outstanding low-light performance with accurate color rendition and saturation from i-Pro's 1/3" sensor, rivaling the performance of costlier 1/2" sensor cameras in the market. The adopted H.265 Smart Coding technology, intelligently reduces bandwidth efficiency of up to 95%* more than conventional H.264 for longer recording and less storage. Cameras out-of-the-box, use an encryption module standardized by FIPS Publication 140-2 for secure video streaming.

*Value in Advanced mode with Smart Facial Coding depends on scene.

Extreme image quality allows evidence to be captured even under challenging conditions

- Auto Shutter speed control for fast moving objects with Intelligent Auto
- Sharp and clear images of a walking person day & night
- Outstanding low light performance in true color with low noise for night time applications
- Super Dynamic 144dB for backlit situations on entrance.
- Built-in IR LED to produce a clear monochrome image in 0 lux conditions with 15 m (49 feet) irradiation distance
- Wide area surveillance even in compact design. moreover, corridor mode to survey vertically long area.

Extreme bandwidth compression with new Panasonic H.265 Smart Coding

- Longer recording and less storage compared to any H.264 based compression techniques
- New self-learning ROI* encoding (Auto VIQS) detects movement within the image and compresses the areas with little motion in order to reduce transmitted data while maintaining the quality of the image.
- New "Smart Facial Coding" adds more bandwidth reduction for ID camera applications mainly capturing faces

*Region of Interest

Extreme Data Security

- Full encryption microSDXC/microSDHC/microSD card edge recording to keep your data safe
- FIPS140-2 CAVP compliant *Using encryption module standardized by FIPS publication 140-2
- Full end-to-end system encryption with supported VMS and devices to protect from IP snooping/spoofing and detect data alteration

Key Features

- Full HD 1080p 60fps
- iA (intelligent Auto)
- Extreme Super Dynamic 144dB
- Color night vision (0.0019 to 0.03 lx)
- H.265 Smart Coding
- Built-in IR LED
- Corridor mode
(90 degrees or 270 degrees in image rotation)
- i-VMD License Bundled

Industry examples

- Education
- Retail
- Bank (ATM)
- Building



ONVIF® | G S T

Specifications

| | | |
|------------------------|--|---|
| Camera | Image Sensor | Approx. 1/3 type CMOS image sensor |
| | Minimum Illumination | Color : 0.03 lx, BW : 0.015 lx (F2.3, Maximum shutter : Off (1/30s), AGC : 11) BW : 0 lx (F2.3, Maximum shutter : Off (1/30 s), AGC : 11, when the IR LED is lit) Color : 0.0019 lx, BW : 0.0009 lx (F2.3, Maximum shutter : max. 16/30s, AGC : 11) *1 |
| | White Balance | AWC (2,000 - 10,000 K), ATW1 (2,700 - 6,000 K), ATW2 (2,000 - 6,000 K) |
| | Maximum shutter | Max. 1/10000 s to Max. 16/30 s |
| | Intelligent Auto | On / Off |
| | Super Dynamic ² | On / Off, the level can be set in the range of 0 to 31. |
| | Dynamic Range | Max.144 dB typ. (Super Dynamic : On) |
| | Adaptive Black Stretch | The level can be set in the range of 0 to 255. |
| | Back light compensation / High light compensation | BLC (Back light compensation) / HLC (High light compensation) / Off (only when Super dynamic / Intelligent Auto : Off) |
| | Fog compensation | On / Off (only when Intelligent auto / auto contrast adjust : Off) |
| | Maximum gain | The level can be set in the range of 0 to 11. |
| | Color/BW (ICR) | Off / On (IR Light Off) / On (IR Light On) / Auto1 (IR Light Off) / Auto2 (IR Light On) / Auto3 (SCC) |
| | IR LED Light | High / Middle / Low / Off, Maximum irradiation distance : 15 m (Approx. 49 ft) |
| | Digital Noise Reduction | The level can be set in the range of 0 to 255. |
| | Video Motion Detection (VMD) | On / Off, 4 areas available |
| | Intelligent VMD (i-VMD) ³ | Type 4 *Bundled License |
| | Privacy Zone | On / Off (up to 8 zones available) |
| | Image rotation ⁴ | 0° / 90° / 180° (Upside-down) / 270° |
| | Mirror | On / Off |
| | Camera Title (OSD) | On / Off Up to 20 characters (alphanumeric characters, marks) |
| Lens | Zoom Ratio | 1 x Optical |
| | Digital (electronic) zoom | Choose from 3 levels of x1, x2, x4 |
| | Focal length | 2.8 mm (1/8 inches) |
| | Angular Field of View | [16 : 9 mode] Horizontal : 108° Vertical : 60° [4 : 3 mode] Horizontal : 89° Vertical : 66° |
| | Maximum Aperture Ratio | 1 : 2.3 |
| Focus range | 0.5 m [19-11/16 inches] - ∞ | |
| Adjusting Angle | Horizontal (PAN) angle : ±45°, Vertical (TILT) angle : 0 to +90°, Azimuth (YAW) angle : ±90° | |
| Browser GUI | Camera Control | Brightness |
| | GUI / Setup Menu Language | English, Italian, French, German, Spanish, Portuguese, Russian, Chinese, Japanese |
| Network | Network IF | 10Base-T / 100Base-TX, RJ45 connector |
| | Resolution | •2 mega pixel [16 : 9] (30/60 fps) 1,920 x 1,080 / 1,280 x 720 / 640 x 360 / 320 x 180 •3 mega pixel [4 : 3] (30 fps) 2,048 x 1,536 ⁵ / 1,280 x 960 / 800 x 600 / 640 x 480 / 400 x 300 / 320 x 240 |
| | H.265/ H.264 | Transmission Mode |
| | JPEG (MJPEG) | Transmission Type |
| | JPEG | Image Quality |
| | Smart Coding | Smart Coding |

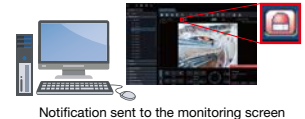
| | | |
|----------------------|--|---|
| Network | Audio Compression | G.726 (ADPCM) : 16 kbps / 32 kbps G.711 : 64 kbps AAC-LC ⁷ : 64 kbps / 96 kbps / 128 kbps |
| | Supported Protocol | IPv6 : TCP/IP, UDP/IP, HTTP, HTTPS, RTP, FTP, SMTP, DNS, NTP, SNMP, DHCPv6, MLD, ICMP, ARP, IEEE 802.1X, DiffServ IPv4 : TCP/IP, UDP/IP, HTTP, HTTPS, RTSP, RTP, RTP/RTCP, FTP, SMTP, DHCP, DNS, DDNS, NTP, SNMP, UPnP, IGMP, ICMP, ARP, IEEE 802.1X, DiffServ |
| | No. of Simultaneous Users | Up to 14 users (Depends on network conditions) |
| | microSDXC/microSDHC/microSD Memory Card ^{8,9} | H.265 / H.264 recording : Manual REC / Alarm REC (Pre/Post) / Schedule REC / Backup upon network failure JPEG recording : Manual REC / Alarm REC (Pre/Post) / Backup upon network failure Compatible microSDXC/microSDHC/microSD Memory Card : Panasonic 2 GB, 4 GB*, 8 GB*, 32 GB*, 64 GB**model *microSDHC card, **microSDXC card |
| | Mobile Terminal Compatibility | iPad, iPhone, Android™ terminals |
| Alarm | Alarm Source | VMD alarm ¹⁰ , Command alarm, Audio detection alarm |
| | Alarm Actions | microSDXC/microSDHC/microSD memory recording, E-mail notification, HTTP alarm notification Indication on browser, FTP image transfer, Panasonic alarm protocol output |
| Input/ Output | Built-in microphone | Nondirectional electret condenser microphone |
| General | Safety | UL (UL60950-1 2Ed), c-UL (CAN/CSA C22. NO.60950-1-07), CE, IEC60950-1 |
| | EMC | FCC (Part15 Subpart B, ClassA, SDOc), ICES-003 ClassA, EN55032 ClassB, EN55024 |
| | Power Source and Power Consumption | PoE (IEEE802.3af compliant) Device : DC48 V 80 mA, Approx. 3.8 W (Class 2 device) |
| | Ambient Operating Temperature | 0 °C to +40 °C (32 °F to 104 °F) |
| | Ambient Operating Humidity | 10 to 90 % (no condensation) |
| | Dimensions | ø104 mm x 51 mm (H) (ø4-3/32 inches x 2 inches (H)) Dome radius 27 mm (1-1/16 inches) |
| | Mass (approx.) | Approx. 255 g (0.56 lbs) |
| | Finish | Main body : ABS resin, Sail white Dome section : Polycarbonate resin, Clear |

- *1 Converted value
*2 Super Dynamic function is automatically set off on 60 fps mode.
*3 Smart Facial Coding, i-VMD can not be used at the same time.
*4 Settings of [90°] and [270°] are only available for the [16 : 9 mode].
*5 Used by super resolution techniques
*6 Transmission for 4 streams can be individually set.
*7 When recording audio on a microSDXC/microSDHC/microSD memory card, only use AAC-LC (Advanced Audio Coding - Low Complexity).
*8 The replacement cycle (target) of a microSD memory card differs from that of a standard size SD memory card.
For details, check the content of the Panasonic Support website
(<https://security.panasonic.com/support/info/ControlNo.:C0117>).
*9 For details, check the content of the Panasonic Support Web Site
(<https://security.panasonic.com/support/info/ControlNo.:C0107>)<Control No.: C0306><Control No.: C0307>
*10 Including alarms from Plug-in Software

Bundled License

Plug-in Software for i-VMD

i-VMD is possible to detect objects in the specified area by advanced video analysis technology.
i-VMD : Intruder Detection, Loitering Detection, Direction Detection, Scene Change Detection, Object Detection, Cross Line Detection



Optional Accessory

Dome Cover

Dome Cover(Smoke type)
WV-CW6SA



Trademarks and registered trademarks

- iPad and iPhone are trademarks of Apple Inc., registered in the U.S. and other countries.
- Android is a trademark of Google LLC.
- ONVIF and the ONVIF logo are trademarks or registered trademarks of Onvif Inc.
- All other trademarks identified herein are the property of their respective owners.

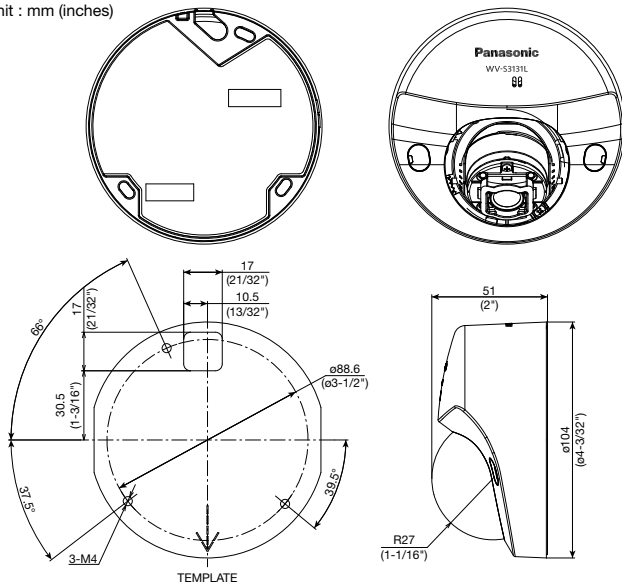
Important

- Safety Precaution : Carefully read the Basic Information, Installation Guide and Operating Instructions before using this product.
- Panasonic cannot be responsible for the performance of the network and/or other manufacturers' products used on the network.

- Masses and dimensions are approximate. • Specifications are subject to change without notice.

Appearance

Unit : mm (inches)



DISTRIBUTED BY :



Panasonic

<https://security.panasonic.com>

<https://www.facebook.com/Panasonicnetworkcamera/>

(2A-219BA)