

S P E C F I L E



The PT-EW630L is not equipped with a lens.

Product Number : **PT-EW630/EW630L**

Product Name : LCD Projectors

Specifications

Main unit

Power supply		100–240 V AC, 50/60 Hz
Power consumption		490 W (492 VA) (0.4 W with STANDBY MODE set to ECO* ¹ , 11 W with STANDBY MODE set to NETWORK.)
Optical system		Dichroic mirror separation/prism synthesis system
LCD panel	Panel size	19.0 mm (0.75 inches) diagonal (16:10 aspect ratio)
	Display method	Transparent LCD panel (× 3, R/G/B)
	Pixels	1,024,000 (1,280 × 800) × 3, total of 3,072,000 pixels
	Pixel configuration	Stripe
Lens	PT-EW630	Powered zoom/focus lens (1.7–2.8:1), F 1.7–2.3, f 26.9–45.4 mm
	PT-EW630L	Optional powered zoom/focus lenses and fixed-focus lens
Lamp		330 W UHM lamp
Screen size		1.02–10.16 m (40–400 inches), 16:10 aspect ratio
Brightness* ²		5,500 lumens (LAMP POWER: AUTO/NORMAL)
Center-to-corner uniformity* ²		90%
Contrast* ²		5,000:1 (full on / full off, LAMP POWER: AUTO)
Resolution		1,280 × 800 pixels (Input signals that exceed this resolution will be converted to 1,280 × 800 pixels.)
Scanning frequency	HDMI/DVI-I	f _H : 26 kHz–80 kHz, f _V : 23 Hz–85 Hz, dot clock: 162 MHz or lower
	RGB	f _H : 15 kHz–120 kHz, f _V : 48 Hz–100 Hz, dot clock: 230 MHz or lower (Signals above 140 MHz are downsampled.)
	YPbPr (YCbCr)	525i (480i): f _H 15.75 kHz; f _V 60 Hz, 625i (576i): f _H 15.63 kHz; f _V 50 Hz, 525p (480p): f _H 31.50 kHz; f _V 60 Hz, 625p (576p): f _H 31.25 kHz; f _V 50 Hz, 750 (720)/60p: f _H 45.00 kHz; f _V 60 Hz, 750 (720)/50p: f _H 37.50 kHz; f _V 50 Hz, 1035/60i: f _H 33.75 kHz; f _V 60 Hz, 1125 (1080)/60i: f _H 33.75 kHz; f _V 60 Hz, 1125 (1080)/50i: f _H 28.13 kHz; f _V 50 Hz, 1080/25p: f _H 28.13 kHz; f _V 25 Hz, 1080/25sF: f _H 28.13 kHz; f _V 50 Hz, 1080/24p: f _H 27.00 kHz; f _V 24 Hz, 1080/24sF: f _H 27.00 kHz; f _V 48 Hz, 1080/30p: f _H 33.75 kHz; f _V 30 Hz, 1080/30sF: f _H 33.75 kHz; f _V 60 Hz, 1080/60p: f _H 67.50 kHz; f _V 60 Hz, 1080/50p: f _H 56.25 kHz; f _V 50 Hz
	Video/S-Video	f _H : 15.75 kHz, f _V : 60 Hz [NTSC/NTSC4.43/PAL-M/PAL60] f _H : 15.63 kHz, f _V : 50 Hz [PAL/PAL-N/SECAM]
Optical axis shift		Vertical: ±60% (powered), horizontal: ±10% (powered) NOTE: Optical axis shift function cannot be operated when used with the ET-ELW21.
Keystone correction range		Vertical: ±40° (with vertical correction only) Horizontal: ±30° (with horizontal correction only)
Installation		Ceiling/floor, front/rear
Built-in speaker	Size	3.7 cm (1-15/32 inches) (round) × 1
	Output power	10 W (monaural)

Terminals	INPUT 1	Menu selection
	HDMI IN	HDMI 19-pin × 1, Deep Color, HDCP compatible 525p (480p), 625p (576p), 750 (720)/60p, 750 (720)/50p, 1035/60i, 1125 (1080)/60i, 1125 (1080)/50i, 1080/25p, 1080/25sF, 1080/24p, 1080/24sF, 1080/30p, 1080/30sF, 1080/60p, 1080/50p, VGA (640 × 480)–WUXGA* ² (1,920 × 1,200) Audio signal: linear PCM (sampling frequencies: 48 kHz, 44.1 kHz, 32 kHz)
	DVI-D IN	DVI-D 24-pin × 1, DVI 1.0 compliant, compatible with HDCP, compatible with single link only 525p (480p), 625p (576p), 750 (720)/60p, 750 (720)/50p, 1035/60i, 1125 (1080)/60i, 1125 (1080)/50i, 1080/25p, 1080/25sF, 1080/24p, 1080/24sF, 1080/30p, 1080/30sF, 1080/60p, 1080/50p, VGA (640 × 480)–WUXGA* ² (1,920 × 1,200)
	RGB IN R, G, B	D-sub HD 15-pin (female) × 1 R: 0.7 Vp-p, 75 ohms; G: 0.7 Vp-p (1.0 Vp-p for sync on G), 75 ohms; B: 0.7 Vp-p, 75 ohms; HD/VD, SYNC: high impedance, TTL (positive/negative) NOTE: SYNC/HD and VD terminals do not accept tri-level sync signals.
	INPUT 2 [RGB input] R, G, B	Menu selection BNC × 5 (RGB/YPbPr/YCbCr × 1) R: 0.7 Vp-p, 75 ohms; G: 0.7 Vp-p (1.0 Vp-p for sync on G), 75 ohms; B: 0.7 Vp-p, 75 ohms; HD/VD, SYNC: high impedance, TTL (positive/negative) NOTE: SYNC/HD and VD terminals do not accept tri-level sync signals.
	Y, Pb (Cb), Pr (Cr)	Y: 1.0 Vp-p (including sync signal); Pb (Cb), Pr (Cr): 0.7 Vp-p, 75 ohms
	VIDEO	BNC × 1, 1.0 Vp-p, 75 ohms
	INPUT 3 [Component input] Y, Pb (Cb), Pr (Cr)	Menu selection RCA pin × 3 (YPbPr/YCbCr × 1) Y: 1.0 Vp-p (including sync signal); Pb (Cb), Pr (Cr): 0.7 Vp-p, 75 ohms
	VIDEO	RCA pin × 1, 1.0 Vp-p, 75 ohms
	S-VIDEO	Mini DIN 4-pin × 1, Y: 1.0 Vp-p; C: 0.286 Vp-p, 75 ohms
	MONITOR OUT (RGB output)	D-sub HD 15-pin (female) × 1 R: 0.7 Vp-p, 75 ohms; G: 0.7 Vp-p (1.0 Vp-p for sync on G), 75 ohms; B: 0.7 Vp-p, 75 ohms; HD/VD, SYNC: high impedance, TTL (positive/negative)
	AUDIO IN 1	M3 (L, R) × 1, 0.5 Vrms, input impedance: 22 kilohms or more
	AUDIO IN 2	M3 (L, R) × 1, 0.5 Vrms, input impedance: 22 kilohms or more
	AUDIO IN 3	RCA (L, R) × 2, 0.5 Vrms, input impedance: 22 kilohms or more
	VARIABLE AUDIO OUT	M3 (L, R) × 1 (monitor out: 0–2.0 Vrms, variable)
	SERIAL IN	D-sub 9-pin (female) × 1, for external control (RS-232C compliant)
	REMOTE IN	M3 jack × 1 for wired remote control or link control
	LAN	RJ-45 × 1, for network connection, 100Base-TX/10Base-T, compliant with PLink™
Power cord length		3.0 m (9 ft 10 in)
Cabinet materials		Molded plastic
Dimensions (W × H × D)	PT-EW630	489.5 mm × 164 mm* ⁴ × 434 mm* ⁵ (19-9/32 × 6-15/32 * ⁴ × 17-3/32 * ⁵ inches) (with supplied lens)
	PT-EW630L	489.5 mm × 164 mm* ⁴ × 370 mm* ⁵ (19-9/32 × 6-15/32 * ⁴ × 14-9/16 * ⁵ inches) (without lens)
Weight	PT-EW630	Approx. 10.3 kg (22.7 lbs) (with supplied lens)
	PT-EW630L	Approx. 9.6 kg (21.2 lbs) (without lens)
Operation noise* ²		37 dB (LAMP POWER: NORMAL), 31 dB (LAMP POWER: ECO 1 / ECO 2)
Operating temperature		0–40 °C (32–104 °F) up to 1,000 m (3,280 ft) above sea level, with fan control set to OFF, 0–30 °C (32–86 °F) between 1,000 m and 2,000 m (3,280 ft and 6,561 ft) above sea level, with fan control set to ON 1,

	0–30 °C (32–86 °F) between 2,000 m and 2,700 m (6,561 ft and 8,858 ft) above sea level, with fan control set to ON 2.
Operating humidity	20%–80% (no condensation)
Remote control unit	
Power supply	3 V DC (R03/LR03/AAA type battery × 2)
Operation range*6	Approx. 5 m (16 ft 5 in) when operated from directly in front of the signal receptor
Dimensions (W × H × D)	48 × 145 × 27 mm (1-7/8 × 5-23/32 × 1-1/16 inches)
Weight	Approx. 102 g (3.6 oz) (including batteries)
Supplied accessories	
	Power cord (× 1)
	Power cord holder (× 1)
	Wireless/wired remote control unit (× 1)
	Batteries for remote control (AAA/R03/LR03 type × 2)
	Computer cable (× 1)
	Software CD-ROM (Logo Transfer Software, Multi Projector Monitoring & Control Software) (× 1)
Optional accessories	
Zoom lens (1.3–1.7:1)	ET-ELW20
Zoom lens (2.8–4.6:1)	ET-ELT20
Zoom lens (4.6–7.2:1)	ET-ELT21
Fixed-focus lens (0.8:1)	ET-ELW21
Ceiling mount bracket	ET-PKE200H (for high ceilings)
	ET-PKE200S (for low ceilings)
Bracket assembly	ET-PKE200B
Replacement lamp unit	ET-LAE200
Replacement filter unit	ET-RFE200

Weights and dimensions shown are approximate. Specifications and appearance are subject to change without notice.

*1 When the standby mode is set to eco, network functions such as power on over the LAN network will not operate, and the serial output terminal cannot be used. Also, only certain commands can be received for external control using the serial terminal.

*2 Measurement, measuring conditions, and method of notation all comply with ISO 21118 international standards.

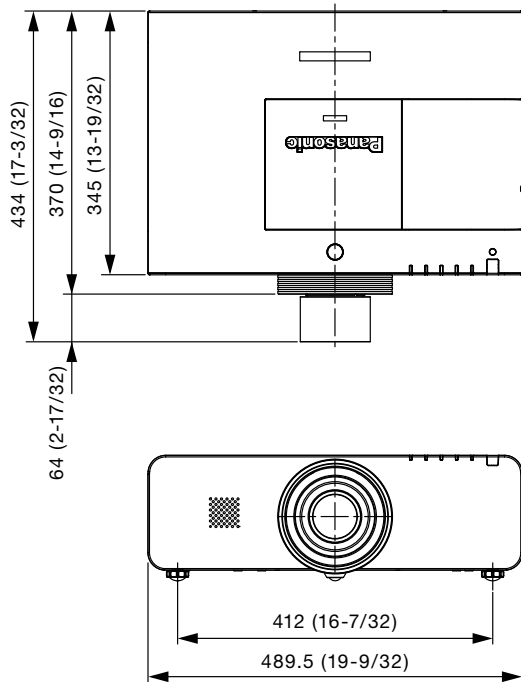
*3 WUXGA resolution is supported only when the signals are compliant with VESA CVT-RB (Coordinated Video Timing-Reduced Blanking).

*4 With legs at shortest position.

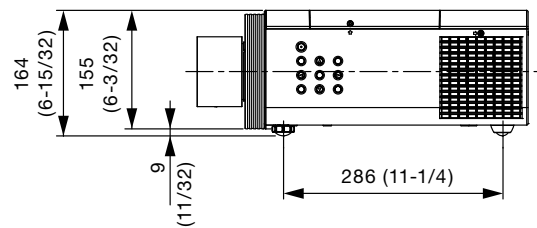
*5 Protruding parts not included.

*6 Operation range differs depending on environments.

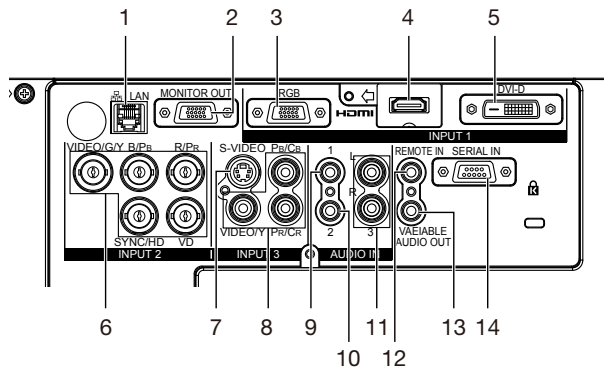
Dimensions



unit : mm (inch)
NOTE: This illustration is not drawn to scale.
The illustration shows the PT-EW630.

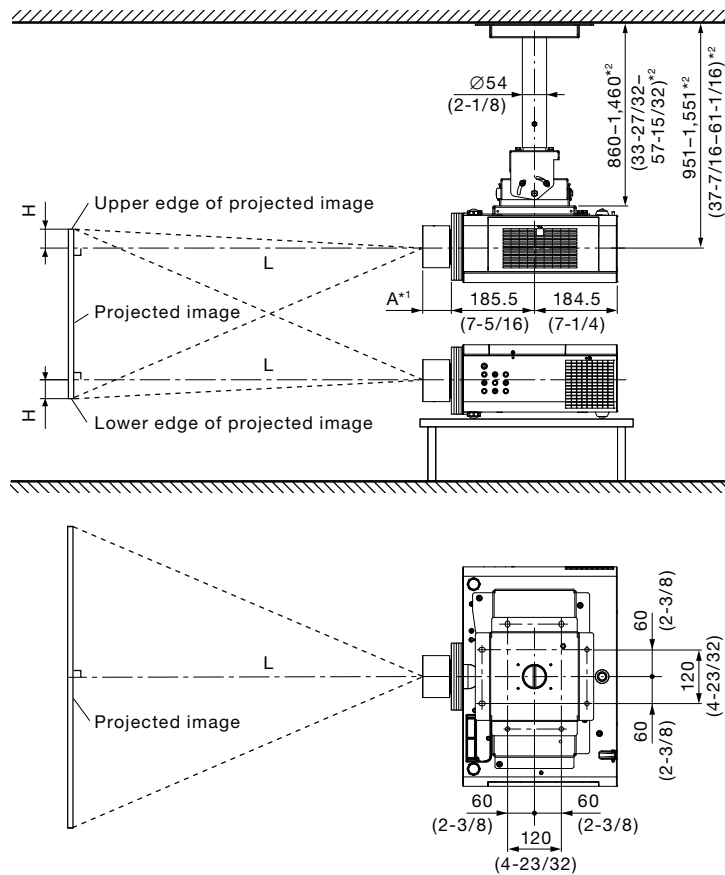


Terminals



- 1 LAN connector
- 2 RGB output
- 3 RGB input
- 4 HDMI Input
- 5 DVI-D input
- 6 RGB/component/video input
- 7 S-Video
- 8 Component/video input
- 9 Audio 1 input
- 10 Audio 2 input
- 11 Audio 3 input
- 12 Remote input
- 13 Audio output
- 14 Serial input

Standard setting-up position



*1 When the lens protrudes to the maximum.
 A: 83.5 mm (3-9/32 in) with the ET-ELW20
 64 mm (2-17/32 in) with the supplied lens
 88 mm (3-15/32 in) with the ET-ELT20
 84 mm (3-5/16 in) with the ET-ELT21
 54 mm (2-1/8 in) with the ET-ELW21

*2 Adjustable in 30 mm (1-3/16 in) steps.

NOTE:

Illustrations show the projector installed using optional ceiling mount bracket ET-PKE200H and bracket assembly ET-PKE200B.

This illustration is not drawn to scale.

unit : mm (inch)

Caution:

- All construction work should be done by a qualified technician.
- When mounting to the ceiling, use the special mounting bracket. To prevent the projector from swaying or dropping, attach the wire between the mounting bracket and the ceiling.

Projection distance for 16:10 aspect ratio screen

Unit: meters

Screen size (diagonal)		Distance to screen (L)									Height from the edge of screen to center of lens (H)		
		Zoom											Fixed-focus
		ET-ELW20 Zoom lens		<i>Supplied lens</i>		ET-ELT20 Zoom lens		ET-ELT21 Zoom lens		ET-ELW21 Fixed-focus lens			
[m]	[in]	min.	max.	min.	max.	min.	max.	min.	max.			Zoom lenses	Fixed- focus lens
1.02/	40	1.04	1.44	1.39	2.40	2.34	3.89	3.80	6.15	0.64	-0.05 – 0.59	0.27	
1.27/	50	1.32	1.81	1.75	3.02	2.95	4.89	4.80	7.75	0.82	-0.07 – 0.74	0.34	
1.52/	60	1.59	2.18	2.11	3.63	3.57	5.88	5.80	9.34	0.99	-0.08 – 0.89	0.40	
1.78/	70	1.86	2.55	2.47	4.24	4.18	6.88	6.80	10.93	1.17	-0.09 – 1.04	0.47	
2.03/	80	2.14	2.92	2.83	4.85	4.79	7.88	7.80	12.52	1.34	-0.11 – 1.19	0.54	
2.29/	90	2.41	3.30	3.19	5.47	5.41	8.88	8.81	14.11	1.52	-0.12 – 1.33	0.61	
2.54/	100	2.69	3.67	3.55	6.08	6.02	9.88	9.81	15.70	1.69	-0.14 – 1.48	0.67	
3.05/	120	3.23	4.41	4.27	7.31	7.25	11.88	11.81	18.88	2.05	-0.16 – 1.78	0.81	
3.81/	150	4.06	5.53	5.35	9.15	9.08	14.88	14.82	23.66	2.57	-0.20 – 2.22	1.01	
5.08/	200	5.43	7.39	7.15	12.21	12.15	19.88	19.83	31.61	3.45	-0.27 – 2.96	1.35	
6.35/	250	6.80	9.25	8.95	15.28	15.22	24.88	24.84	39.57	4.32	-0.34 – 3.70	1.68	
7.62/	300	8.17	11.11	10.75	18.34	18.28	29.87	29.85	47.53	5.20	-0.40 – 4.44	2.02	
10.16/	400	10.91	14.83	14.35	24.47	24.41	39.87	39.87	63.44	6.95	-0.54 – 5.92	2.69	

Unit: feet

Screen size (diagonal)		Distance to screen (L)									Height from the edge of screen to center of lens (H)		
		Zoom											Fixed-focus
		ET-ELW20 Zoom lens		<i>Supplied lens</i>		ET-ELT20 Zoom lens		ET-ELT21 Zoom lens		ET-ELW21 Fixed-focus lens			
[m]	[in]	min.	max.	min.	max.	min.	max.	min.	max.			Zoom lenses	Fixed- focus lens
1.02/	40	3.4	4.7	4.6	7.9	7.7	12.7	12.5	20.2	2.1	-0.2 – 1.9	0.9	
1.27/	50	4.3	5.9	5.7	9.9	9.7	16.0	15.7	25.4	2.7	-0.2 – 2.4	1.1	
1.52/	60	5.2	7.1	6.9	11.9	11.7	19.3	19.0	30.6	3.3	-0.3 – 2.9	1.3	
1.78/	70	6.1	8.4	8.1	13.9	13.7	22.6	22.3	35.9	3.8	-0.3 – 3.4	1.6	
2.03/	80	7.0	9.6	9.3	15.9	15.7	25.9	25.6	41.1	4.4	-0.4 – 3.9	1.8	
2.29/	90	7.9	10.8	10.5	17.9	17.7	29.1	28.9	46.3	5.0	-0.4 – 4.4	2.0	
2.54/	100	8.8	12.0	11.6	19.9	19.7	32.4	32.2	51.5	5.6	-0.4 – 4.9	2.2	
3.05/	120	10.6	14.5	14.0	24.0	23.8	39.0	38.8	62.0	6.7	-0.5 – 5.8	2.7	
3.81/	150	13.3	18.1	17.6	30.0	29.8	48.8	48.6	77.6	8.4	-0.7 – 7.3	3.3	
5.08/	200	17.8	24.2	23.5	40.1	39.9	65.2	65.0	103.7	11.3	-0.9 – 9.7	4.4	
6.35/	250	22.3	30.3	29.4	50.1	49.9	81.6	81.5	129.8	14.2	-1.1 – 12.2	5.5	
7.62/	300	26.8	36.4	35.3	60.2	60.0	98.0	97.9	155.9	17.1	-1.3 – 14.6	6.6	
10.16/	400	35.8	48.6	47.1	80.3	80.1	130.8	130.8	208.1	22.8	-1.8 – 19.4	8.8	

- The value for L (distance to screen) varies slightly within ±5% depending on the zoom lens characteristics.
- The zoom lens characteristics may cause slight image distortion.
- When vertical keystone correction is used, the image is corrected in the direction that reduces its projected size.
- The brightness varies depending on the zoom setting.

Note: When the fixed-focus lens ET-ELW21 is mounted, the optical lens shift function cannot be used.

Projection distance for 16:9 aspect ratio screen

Unit: meters

Screen size (diagonal)		Distance to screen (L)									Height from the edge of screen to center of lens (H)		
		Zoom									Fixed-focus		
		ET-ELW20 Zoom lens		<i>Supplied lens</i>		ET-ELT20 Zoom lens		ET-ELT21 Zoom lens		ET-ELW21 Fixed-focus lens	Zoom lenses		Fixed- focus lens
[m]	[in]	min.	max.	min.	max.	min.	max.	min.	max.				
1.02/	40	1.07	1.48	1.43	2.47	2.41	4.00	3.91	6.33	0.66	-0.05	-0.55	0.25
1.27/	50	1.35	1.86	1.80	3.10	3.04	5.02	4.94	7.97	0.84	-0.06	-0.69	0.31
1.52/	60	1.63	2.24	2.17	3.73	3.67	6.05	5.97	9.60	1.02	-0.08	-0.82	0.37
1.78/	70	1.92	2.62	2.54	4.36	4.30	7.08	7.00	11.24	1.20	-0.09	-0.96	0.44
2.03/	80	2.20	3.01	2.91	4.99	4.93	8.11	8.03	12.87	1.38	-0.10	-1.10	0.50
2.29/	90	2.48	3.39	3.28	5.62	5.56	9.13	9.06	14.51	1.56	-0.11	-1.23	0.56
2.54/	100	2.76	3.77	3.65	6.25	6.19	10.16	10.09	16.14	1.74	-0.13	-1.37	0.62
3.05/	120	3.32	4.54	4.39	7.51	7.45	12.22	12.15	19.42	2.10	-0.15	-1.64	0.75
3.81/	150	4.17	5.68	5.50	9.40	9.34	15.30	15.24	24.32	2.64	-0.19	-2.06	0.93
5.08/	200	5.58	7.59	7.35	12.55	12.49	20.43	20.38	32.50	3.54	-0.25	-2.74	1.25
6.35/	250	6.99	9.51	9.20	15.70	15.64	25.57	25.53	40.68	4.44	-0.31	-3.42	1.56
7.62/	300	8.39	11.42	11.05	18.85	18.79	30.71	30.68	48.85	5.34	-0.37	-4.11	1.87
10.16/	400	11.21	15.24	14.75	25.15	25.10	40.98	40.98	65.21	7.14	-0.50	-5.48	2.49

Unit: feet

Screen size (diagonal)		Distance to screen (L)									Height from the edge of screen to center of lens (H)		
		Zoom									Fixed-focus		
		ET-ELW20 Zoom lens		<i>Supplied lens</i>		ET-ELT20 Zoom lens		ET-ELT21 Zoom lens		ET-ELW21 Fixed-focus lens	Zoom lenses		Fixed- focus lens
[m]	[in]	min.	max.	min.	max.	min.	max.	min.	max.				
1.02/	40	3.5	4.8	4.7	8.1	7.9	13.1	12.8	20.8	2.2	-0.2	- 1.8	0.8
1.27/	50	4.4	6.1	5.9	10.2	10.0	16.5	16.2	26.1	2.8	-0.2	- 2.3	1.0
1.52/	60	5.4	7.4	7.1	12.2	12.0	19.9	19.6	31.5	3.4	-0.3	- 2.7	1.2
1.78/	70	6.3	8.6	8.3	14.3	14.1	23.2	23.0	36.9	3.9	-0.3	- 3.2	1.4
2.03/	80	7.2	9.9	9.5	16.4	16.2	26.6	26.3	42.2	4.5	-0.3	- 3.6	1.6
2.29/	90	8.1	11.1	10.8	18.4	18.2	30.0	29.7	47.6	5.1	-0.4	- 4.1	1.8
2.54/	100	9.1	12.4	12.0	20.5	20.3	33.3	33.1	53.0	5.7	-0.4	- 4.5	2.0
3.05/	120	10.9	14.9	14.4	24.6	24.4	40.1	39.8	63.7	6.9	-0.5	- 5.4	2.5
3.81/	150	13.7	18.6	18.0	30.8	30.6	50.2	50.0	79.8	8.7	-0.6	- 6.7	3.1
5.08/	200	18.3	24.9	24.1	41.2	41.0	67.0	66.9	106.6	11.6	-0.8	- 9.0	4.1
6.35/	250	22.9	31.2	30.2	51.5	51.3	83.9	83.8	133.4	14.6	-1.0	-11.2	5.1
7.62/	300	27.5	37.5	36.3	61.9	61.7	100.7	100.7	160.3	17.5	-1.2	-13.5	6.1
10.16/	400	36.8	50.0	48.4	82.5	82.3	134.4	134.5	213.9	23.4	-1.6	-18.0	8.2

- The value for L (distance to screen) varies slightly within ±5% depending on the zoom lens characteristics.
- The zoom lens characteristics may cause slight image distortion.
- When vertical keystone correction is used, the image is corrected in the direction that reduces its projected size.
- The brightness varies depending on the zoom setting.

Note: When the fixed-focus lens ET-ELW21 is mounted, the optical lens shift function cannot be used.

Calculation of the projection distance

For a screen size different from the above, use the equation below to calculate the projection distance.

Aspect ratio 16:10

ET-ELW20	minimum	$L (m) = (\text{diagonal screen size in inches}) \times 0.027400 - 0.055400$
	maximum	$L (m) = (\text{diagonal screen size in inches}) \times 0.037200 - 0.053400$
<i>Supplied lens</i>	<i>minimum</i>	<i>$L (m) = (\text{diagonal screen size in inches}) \times 0.036000 - 0.050400$</i>
	<i>maximum</i>	<i>$L (m) = (\text{diagonal screen size in inches}) \times 0.061300 - 0.049700$</i>
ET-ELT20	minimum	$L (m) = (\text{diagonal screen size in inches}) \times 0.061320 - 0.113900$
	maximum	$L (m) = (\text{diagonal screen size in inches}) \times 0.099950 - 0.112800$
ET-ELT21	minimum	$L (m) = (\text{diagonal screen size in inches}) \times 0.100200 - 0.212700$
	maximum	$L (m) = (\text{diagonal screen size in inches}) \times 0.159120 - 0.210700$
ET-ELW21	(fixed focus)	$L (m) = (\text{diagonal screen size in inches}) \times 0.017517 - 0.057231$

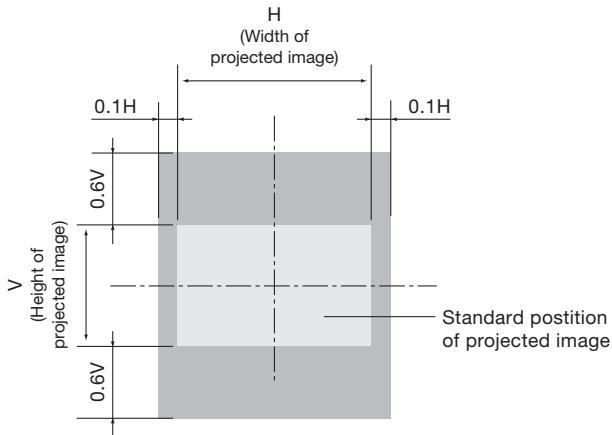
Aspect ratio 16:9

ET-ELW20	minimum	$L (m) = (\text{diagonal screen size in inches}) \times 0.028162 - 0.055400$
	maximum	$L (m) = (\text{diagonal screen size in inches}) \times 0.038234 - 0.053400$
<i>Supplied lens</i>	<i>minimum</i>	<i>$L (m) = (\text{diagonal screen size in inches}) \times 0.037001 - 0.050400$</i>
	<i>maximum</i>	<i>$L (m) = (\text{diagonal screen size in inches}) \times 0.063004 - 0.049700$</i>
ET-ELT20	minimum	$L (m) = (\text{diagonal screen size in inches}) \times 0.063025 - 0.113900$
	maximum	$L (m) = (\text{diagonal screen size in inches}) \times 0.102729 - 0.112800$
ET-ELT21	minimum	$L (m) = (\text{diagonal screen size in inches}) \times 0.102986 - 0.212700$
	maximum	$L (m) = (\text{diagonal screen size in inches}) \times 0.163544 - 0.210700$
ET-ELW21	(fixed focus)	$L (m) = (\text{diagonal screen size in inches}) \times 0.018004 - 0.057231$

• Distances calculated with the above equations will include a slight error.

Shift range

Optical axis shift function allows to shift the position of a projected image as shown below.



- The ET-ELW21 is a fixed short-focus lens. Therefore, the lens shift function provided in the main unit cannot be used.

Installable angle

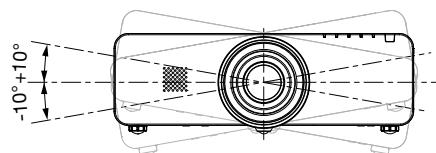
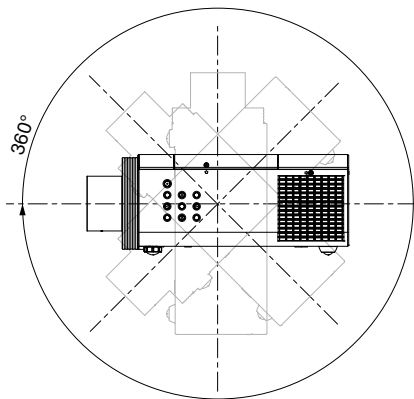
Install the projector at an angle within the range shown below.

• **Vertical direction**

The projector may be installed at a vertical angle of 360°.

• **Horizontal direction**

The projector may be installed at a horizontal angle of ±10°.



List of compatible signals

The signals that can be input to this projector are shown in the table below. Horizontal scanning frequencies of 15 kHz to 100 kHz (15 kHz to 120 kHz for RGB signals), vertical scanning frequencies of 24 Hz to 120 Hz (48 Hz to 100 Hz for RGB signals), and a dot clock of 162 MHz maximum (230 MHz maximum for RGB signals) can be input.

NOTE: The native resolution of this projector is 1,280 × 800 pixels. If the display resolution of the input signal is different from the native resolution, image compression or expansion will be used to convert the input signal to a level within the native resolution.

Display mode	Display resolution (dots)*1	Scanning frequency H (kHz)	Scanning frequency V (kHz)	Dot clock frequency (MHz)	Format
NTSC/NTSC4.43/PAL-M/PAL60	720 × 480i	15.7	59.9	–	VIDEO/S-VIDEO
PAL/PAL-N/SECAM	720 × 576i	15.6	50.0	–	
525i (480i)	720 × 480i	15.7	59.9	27.0	HDMI
625i (576i)	720 × 576i	15.6	50.0	27.0	
525p (480p)	720 × 480i	31.5	60.0	27.0	HDMI/DVI-D
625p (576p)	720 × 576i	31.3	50.0	27.0	
525i (480i)	640 × 480i	15.7	60.0	12.3	YPbPr/RGB
625i (576i)	768 × 576i	15.6	50.0	14.8	
525p (480p)	640 × 480	31.5	59.9	25.2	
625p (576p)	768 × 575	31.3	50.0	29.5	
720p	1280 × 720	37.5	50.0	74.3	HDMI/DVI-D/YPbPr/RGB
		45.0	60.0	74.3	
1035i	1920 × 1035i	33.8	60.0	74.3	
1080i	1920 × 1080i	28.1	50.0	74.3	
		33.8	60.0	74.3	
1080p	1920 × 1080	27.0	24.0	74.3	
		28.1	25.0	74.3	
		33.8	30.0	74.3	
		56.3	50.0	148.5	
		67.5	60.0	148.5	
1080psf/30		33.8	60.0	74.3	
1080psf/25		28.1	50.0	74.3	
1080psf/24		27.0	48.0	74.3	
VGA	640 × 400	31.5	70.1	28.3	RGB
	640 × 480	31.5	59.9	25.2	HDMI/DVI-D/RGB
		37.5	75.0	31.5	RGB
		37.9	72.8	31.5	
		37.9	74.4	31.5	
		43.3	85.0	36.0	
	720 × 400	31.5	70.1	25.1	
MAC LC13	640 × 480	35.0	66.6	31.3	
MAC13		35.0	66.7	30.2	
SVGA	800 × 600	32.7	51.1	32.7	
		34.5	55.4	36.4	
		35.2	56.3	36.0	
		37.9	60.3	40.0	HDMI/DVI-D/RGB
		37.9	61.0	40.0	RGB
		38.0	60.5	40.1	
		38.6	60.3	38.6	
		46.9	75.0	49.5	
		48.1	72.2	50.0	
		53.7	85.1	56.3	
MAC16	832 × 624	49.7	74.6	57.3	
XGA	1024 × 768	43.4	60.1	65.0	HDMI/DVI-D
		44.0	54.6	59.1	RGB
		46.9	58.2	63.0	
		47.0	58.3	61.7	
		48.4	60.0	65.0	
		48.5	60.0	65.2	
		58.0	72.0	74.7	
		56.5	70.1	75.0	
		60.0	75.0	78.8	
		60.3	74.9	79.3	
		61.0	75.7	81.0	
		62.0	77.1	84.4	
		63.5	79.4	83.4	
		68.7	85.0	94.5	
	1024 × 768i	35.5	87.0	44.9	
		36.0	87.2	47.3	
MAC19	1024 × 768	60.2	75.1	80.0	

*1 The "i" appearing after the resolution indicates an interlaced signal.

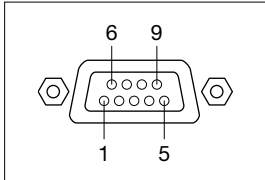
Display mode	Display resolution (dots)*1	Scanning frequency		Dot clock frequency (MHz)	Format
		H (kHz)	V (kHz)		
WXGA	1280 × 768	47.8	59.9	79.5	HDMI/DVI-D/RGB
		60.3	74.9	102.3	
		68.6	84.8	117.5	
	1280 × 800	41.2	50.0	68.6	HDMI/DVI-D
		49.6	60.1	79.4	
		49.7	59.8	83.5	
		58.3	70.0	98.9	
		56.0	70.0	95.0	
		57.7	72.0	97.8	
		60.0	72.0	102.8	
		62.8	74.9	106.5	
		64.0	60.0	108.0	
	1360 × 768	71.6	84.9	122.5	HDMI/DVI-D/RGB
		47.7	60.0	86.7	
	1366 × 768	56.2	72.0	100.2	HDMI/DVI-D
1376 × 768	46.5	50.0	67.4	HDMI/DVI-D/RGB	
MAC21	1152 × 870	48.4	60.0	86.7	HDMI/DVI-D/RGB
SXGA	1152 × 900	68.7	75.1	1000.0	RGB
		64.2	70.4	94.6	
		61.2	65.2	92.0	
	1280 × 960	61.9	66.0	94.5	HDMI/DVI-D
		71.4	75.6	105.1	
		60.0	60.0	108.0	
	1280 × 1024	60.3	58.1	93.1	RGB
		62.5	58.6	108.0	
		63.3	60.0	108.2	
		63.4	60.0	111.5	
		63.7	60.0	109.5	
		63.8	60.2	108.2	
		63.9	60.0	107.4	
		64.0	60.0	108.0	
		71.7	67.2	117.0	
77.0		72.0	130.1		
80.0		75.0	135.0		
1280 × 1024i		81.1	76.1	135.0	
	91.1	85.0	157.5		
	46.4	86.7	78.7		
MAC	1280 × 960	50.0	86.0	80.0	RGB
	1280 × 1024	50.0	94.0	80.0	
SXGA+	1400 × 1050	75.0	75.1	126.0	HDMI/DVI-D/RGB
		80.0	75.1	135.2	
		62.5	58.6	108.0	
		64.0	60.0	108.2	
		64.0	60.2	108.0	
		64.7	59.9	101.0	
		65.1	59.9	122.4	
		65.3	60.0	121.8	
WXGA+	1440 × 900	65.4	60.1	122.9	RGB
		55.9	59.9	106.5	
UXGA	1600 × 1200	74.9	60.0	161.9	HDMI/DVI-D/RGB
		75.0	60.0	162.0	
UXGA*2		81.3	65.0	175.5	RGB
		87.5	70.0	189.0	
		93.8	75.0	202.5	
		106.3	85.0	229.5	
WSXGA+	1680 × 1050	65.3	60.0	146.3	HDMI/DVI-D/RGB
WUXGA	1920 × 1200	74.0	59.9	154.0	HDMI/DVI-D/RGB
WUXGA*2		74.6	59.9	193.3	RGB

*1 The "i" appearing after the resolution indicates an interlaced signal.
 *2 The "REAL" mode of "SCREEN" setting cannot be operated for these modes.

Serial connector

The serial connector complies with RS-232C. To control the projector from a personal computer, commands must be input through communication software, based on the format and satisfying the communication conditions shown below.

Pin assignments and signal names



No.	Signal name	Description	No.	Signal name	Description
1	-	NC	6	-	NC
2	TXD	Transmitted data	7	CTS	Connected internally
3	RXD	Received data	8	RTS	Connected internally
4	-	Connected internally	9	-	NC
5	GND	Ground			

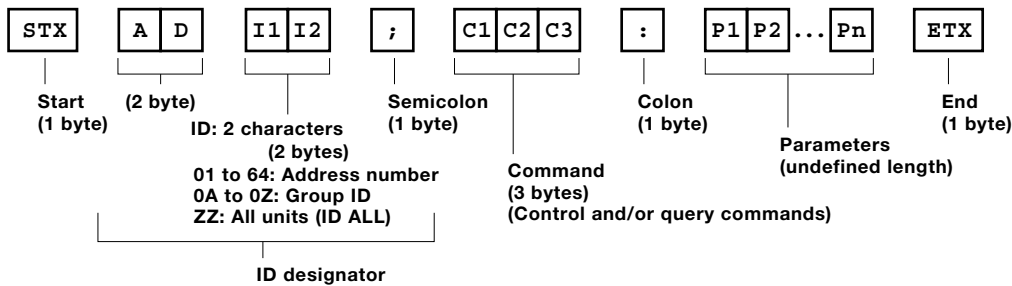
D-sub 9-pin (female) Serial input

Communication conditions (factory setting)

Signal level	RS-232C-compliant
Synchronization method	Start-stop synchronization
Baud rate	19,200 bps
Parity	None
Character length	8 bits
Stop bit	1 bit
X parameter	None
S parameter	None

Basic format

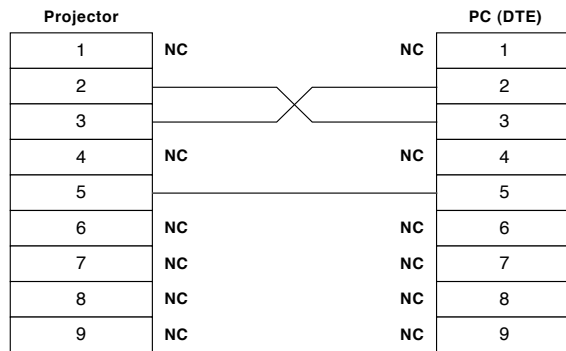
Transmission from the computer begins with STX, then the ID, command, parameter, and ETX are sent in this order. Add parameters according to the details of control.



CAUTION

- It may not be possible to send or receive commands for about 10 to 60 seconds when the lamp is first turned on. If this occurs, wait for 60 seconds, then try sending or receiving again.
- When sending multiple commands, be sure to wait for at least 0.5 second after receiving a response from the projector before sending the next command.
- Additional time is sometimes required for response due to processing inside the projector. Set the time-out period for command response to 10 seconds or more.
- When using two or more units, set different IDs for each unit.

Cable specifications



Control commands

Command : Parameter	Function		Callback
PON	Standby power	On	PON
POF		Off	POF
IIS : HD1	Input	Input 1 [HDMI]	IIS : HD1
IIS : RG1		Input 1 [RGB (PC)]	IIS : RG1
IIS : RG2		Input 2 [RGB (PC)]	IIS : RG2
IIS : RG2		Input 2 [RGB(Y·P _B (C _B)·P _R (C _R))]	IIS : RG2
ORF : 1			ORF : 1
IIS : YUV		Input 3 [component]	IIS : YUV
IIS : SVD		Input 3 [S-Video]	IIS : SVD
IIS : VID		Input 3 [Video]	IIS : VID
OLP : 2	Lamp power	Auto	OLP : 2
OLP : 0		Normal	OLP : 0
OLP : 3		Eco 1	OLP : 3
OLP : 4		Eco 2	OLP : 4
OSH : 0	Shutter	Off	OSH : 0
OSH : 1		On	OSH : 1
OFZ : 1	Freeze	On	OFZ : 1
OFZ : 0		Off	OFZ : 0
OAS	Auto setup		OAS
VSE : 0	Screen (aspect)	Normal	VSE : 0
VSE : 6		Full	VSE : 6
VSE : 2		Wide (16:9)	VSE : 2
VSE : 40		Zoom	VSE : 40
VSE : 5		Real	VSE : 5
VSE : 50		Custom	VSE : 50
VPM : STD	Picture	Standard	VPM : STD
VPM : DYN		Dynamic	VPM : DYN
VPM : CIN		Cinema	VPM : CIN
VPM : REA		Real	VPM : REA

* Do not send PON, POF or OSH commands continuously in a short period of time. Doing so may burst the lamp or shorten the lamp replacement cycle.

* When a command that cannot be executed during standby mode is sent, the projector will send an ER401 command in reply.

Status request commands

Command:Parameter	Function	Callback	Description
QPW	Main power status	000	Off
		001	On
QIN	Input signal status	HD1	Input 1 [HDMI]
		RG1	Input 1 [RGB (PC)]
		RG2	Input 2 [RGB (PC)]
		0	
		RG2	Input 2 [RGB (Y·Pb (Cb)·Pr (Cr))]
		1	
		YUV	Input 3 [component]
QLP	Lamp power mode status	SVD	Input 3 [S-Video]
		VID	Input 3 [Video]
		2	Auto
		0	Normal
		3	Eco 1
QSH	Shutter function status	4	Eco 2
		0	Off
		1	On
		QFZ	Freeze function status
QFZ	Freeze function status	1	Off
		QSE	Aspect mode status
QSE	Aspect mode status	6	Full
		2	Wide (16:9)
		40	Zoom
		5	Real
		50	Custom
		0	Normal
		6	Full
QPM	Picture mode status	STD	Standard
		DYN	Dynamic
		CIN	Cinema
		REA	Real
QST	Projector run time	p1p2p3p4p5	00000 – 99999 hours
Q\$L	Lamp run time	p1p2p3p4	0000 – 9999 hours
QTM: 0	Temperature status	p1p2p3p4 / p5p6p7p8 *1	Air intake
QTM: 2	Temperature status	p1p2p3p4 / p5p6p7p8 *1	Panel section

*1 p1p2p3p4 = Celsius (°C), p5p6p7p8 = Fahrenheit (°F)

NOTE: If a wrong command is received, the projector will send an ER401 or ER402 command to the computer.

Command example

To set the shutter function on, send the command as shown below.

```

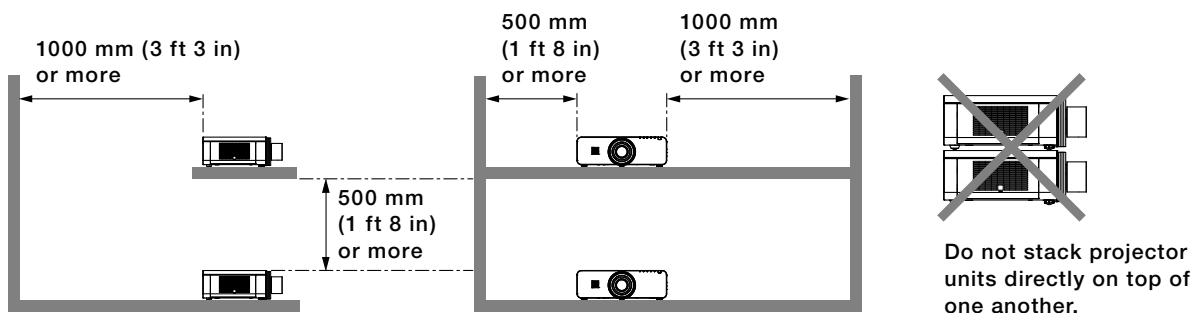
STX   ADZZ ; OSH : 1   ETX
  |         |         |         |         |
  Start   ID Address  Command  Parameter End
Character code 02 ZZ: ID ALL
    
```

NOTE: When sending commands without parameters, a colon (:) is not necessary.

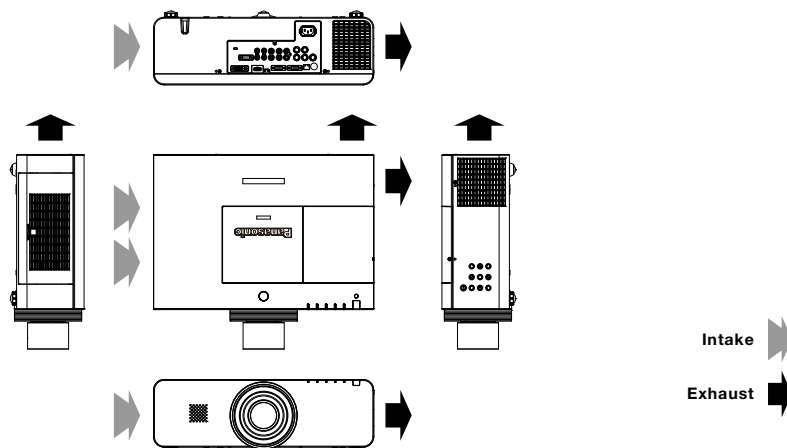
Notes on projector placement and operation

The projector uses a high-wattage lamp that becomes very hot during operation. Please observe the following precautions.

1. Never place objects on top of the projector.
2. Make sure there is an unobstructed space of 1,000 mm (3 feet 3 inches) or more around the projector's exhaust openings.
3. Do not stack projector units directly on top of one another for the purpose of multiple (stacked) projection. When stacking projector units, be sure to provide the amount of space indicated below between them. These space requirements also apply to installations where only one projector unit is operating at one time and the other unit is used as a backup.
4. Make sure that nothing blocks the projector's air intake and exhaust openings. Also, install the projector so that cool or hot air from other air conditioning equipment does not flow directly toward the projector's air intake or exhaust openings.
5. Do not install the projector in an enclosed space. If it is necessary to install it in an enclosed space, add a separate ventilation system. If ventilation is insufficient, hot air will accumulate at the intake opening. This may cause the projector's protective circuit to interrupt projector operation.
6. If the projector is installed in an enclosed space, ensure that the projector's intake and exhaust openings are not blocked. Take particular care to ensure that hot air from the exhaust openings is not sucked into the intake openings.
7. When installing the projector in any manner other than floor mounting with the adjuster legs, use the five threaded ceiling mount holes (screw diameter: M6, projector interior thread length: 12 mm) to secure the projector.



Direction of air intake and exhaust



Operating the projector continuously

1. If the projector is to be operated continuously 12 hours or more, lamp replacement cycle duration becomes shorter.
2. The lamp replacement cycle duration becomes shorter if the projector is operated repeatedly for short periods.

Weights and dimensions shown are approximate. Specifications and appearance are subject to change without notice.
Product availability differs depending on region and country. This product may be subject to export control regulations.

PJLink is a registered trademark, or a trademark application has been filed, in Japan, the United States, and other countries and regions.
All other trademarks are the property of their respective trademark owners.