

# Service Manual

## Telephone Equipment

Model No. **KX-TG1611SPC**  
**KX-TG1611SPF**  
**KX-TG1611SPH**  
**KX-TG1611SPR**  
**KX-TG1611SPW**  
**KX-TG1612SP1**  
**KX-TG1612SPR**  
**KX-TG1613SPH**  
**KX-TG1711SPB**  
**KX-TGA161EXC**  
**KX-TGA161EXF**  
**KX-TGA161EXH**  
**KX-TGA161EXR**  
**KX-TGA161EXW**  
**KX-TGA171EXB**

*Supplement-3*

**IDEHAL**  
**Gostar**

### Digital Cordless Phone

C: Aqua Version / F: Purple Version  
H: Charcoal Gray Version / R: Red Version  
W: Ivory Version / B: Piano Black Version  
(for Spain, Portugal)

Please file and use this supplement manual together with the service manual for Model No. **KX-TG1611SPC/KX-TG1611SPF/KX-TG1611SPH/KX-TG1611SPR/KX-TG1611SPW/KX-TG1612SP1/KX-TG1612SPR/KX-TG1613SPH/KX-TG1711SPB/KX-TGA161EXC/KX-TGA161EXF/KX-TGA161EXH/KX-TGA161EXR/KX-TGA161EXW/KX-TGA171EXB**, Order No. **KM41106417CE**.

### **WARNING**

This service information is designed for experienced repair technicians only and is not designed for use by the general public. It does not contain warnings or cautions to advise non-technical individuals of potential dangers in attempting to service a product. Products powered by electricity should be serviced or repaired only by experienced professional technicians. Any attempt to service or repair the product or products dealt with in this service information by anyone else could result in serious injury or death.

## TABLE OF CONTENTS

	PAGE		PAGE
<b>1 REPLACEMENT PARTS LIST</b> -----	<b>2</b>	<b>1.2. ORIGINAL AND NEW PARTS COMPARISON</b>	
1.1. REFERENCE CHART-----	2	LISTS -----	2
		1.3. How to replace IC-----	3

**Panasonic**<sup>®</sup>

© Panasonic System Networks Co., Ltd. 2012  
Unauthorized copying and distribution is a violation of law.

# 1 REPLACEMENT PARTS LIST

## 1.1. REFERENCE CHART

Reason for Change	
*The following items (1-8) indicate the reason for change. See the "Notes" column for each part in ORIGINAL AND NEW PARTS COMPARISON LISTS.	
1. Improve performance	<b>Note:</b> *1: Parts with *1 marking have been changed at the same time.  <b>Remark:</b> *c: To share the parts with other models. *z: In order to use new parts due to Thai disaster. Please change at the time of the addition of R803. Please refer to supplement-2 for R803.
2. Change of material or dimension	
3. To meet approved specification	
4. Standardization	
5. Addition	
6. Deletion	
7. Correction	
8. Other	

Interchangeability Code							
**The following items (V-Z) indicate the Interchangeability. See the "Notes" column for each part in ORIGINAL AND NEW PARTS COMPARISON LISTS.							
V	<table border="0"> <tr> <td>Original</td> <td>↔</td> <td>Early (before change)</td> </tr> <tr> <td>New</td> <td>↔</td> <td>Late (after change)</td> </tr> </table>	Original	↔	Early (before change)	New	↔	Late (after change)
Original	↔	Early (before change)					
New	↔	Late (after change)					
W	<table border="0"> <tr> <td>Original</td> <td>→</td> <td>Early (before change)</td> </tr> <tr> <td>New</td> <td>→</td> <td>Late (after change)</td> </tr> </table>	Original	→	Early (before change)	New	→	Late (after change)
Original	→	Early (before change)					
New	→	Late (after change)					
X	<table border="0"> <tr> <td>Original</td> <td>↗</td> <td>Early (before change)</td> </tr> <tr> <td>New</td> <td>→</td> <td>Late (after change)</td> </tr> </table>	Original	↗	Early (before change)	New	→	Late (after change)
Original	↗	Early (before change)					
New	→	Late (after change)					
Y	<table border="0"> <tr> <td>Original</td> <td>→</td> <td>Early (before change)</td> </tr> <tr> <td>New</td> <td>→</td> <td>Late (after change)</td> </tr> </table>	Original	→	Early (before change)	New	→	Late (after change)
Original	→	Early (before change)					
New	→	Late (after change)					
Z	Other						

**Note:**  
Alphabets in the "Remarks" column in the following lists correspond to the alphabets in the "Remarks" in REFERENCE CHART.

## 1.2. ORIGINAL AND NEW PARTS COMPARISON LISTS

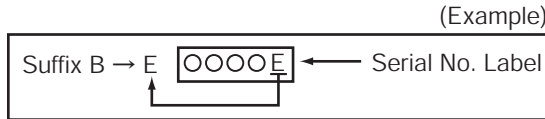
### Change of the Suffix Code (Base Unit)

Suffix Code	Reasons of change
B to D	In order to stop temporal countermeasure for Thai disaster.
D to E	To share the parts with other models.

### Change of the Suffix Code (Handset)

Suffix Code	Reasons of change
B to D	In order to stop temporal countermeasure for Thai disaster.
D to E	To share the parts with other models.

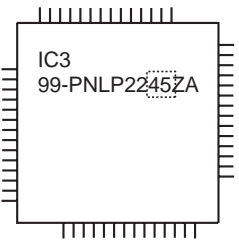
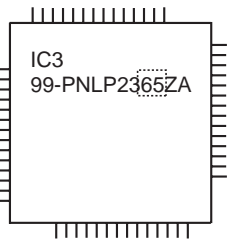
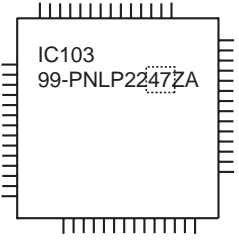
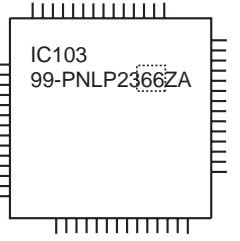
Serial No.Label tells you the suffix code as follows.



**Note:**  
Suffix D is the same as Suffix A. Change parts based on Suffix.

Ref. No.	Part No.		Part Name & Description	Pcs/ Set	Remarks	Notes	Time of Change (Suffix)
	Original (Old)	New					
<b>Main P.C.Board Parts (Base Unit)</b>							
IC3	PNLP2245Z	<b>PNLP2365Z</b>	IC	*1	1	*c	8 Y D to E
<b>Main P.C.Board Parts (Handset)</b>							
IC103	PNLP2247Z (*A)	<b>PNLP2366Z</b>	IC	*1	1	*c	8 Y D to E
IC101	MTM767200LBF	<b>B1ZBZ0000082</b>	TRANSISTOR(SI)		1	*z	4 V A to B
IC101	B1ZBZ0000082	<b>MTM767200LBF</b>	TRANSISTOR(SI)		1	*c	4 V B to D

\*A: Check the part number of PCB that you have. If it is old, please order the new one. When you repair, update software with a CD-ROM. See **How to replace IC** (P.3).

Ref No.	Suffix	
	D(OLD)	E(NEW)
IC3	 <p>IC3 99-PNLP2245ZA</p>	 <p>IC3 99-PNLP2365ZA</p>
IC103	 <p>IC103 99-PNLP2247ZA</p>	 <p>IC103 99-PNLP2366ZA</p>

## 1.3. How to replace IC

### 1.3.1. Replace BBIC of base unit

1. Read id: Execute the command "readid". (Writing it down on a memo pad is recommend.)
2. Default batch file: Execute the command "DefaultEEP".
3. Replace BBIC from 2245ZA to 2365ZA.
4. Write id: Execute the command "writeid xx xx xx xx xx". (\*3)
5. Country version batch file: Execute the command "TG16XX\_FP\_xx\_yyy.bat". (\*2)
6. Compare: Execute the command "Compare.bat refTG16XX\_FP\_xx\_yyy.txt". (\*2)
7. If all EEPROM data are correct, then you can see "OK!/sum=xxxx". (depends on each country)
8. Clock adjustment: Refer to Check Point (D). (\*1)

#### Note:

- (\*1) Refer to **Check Point (Base Unit)** of service manual.  
 (\*2) Use 2365ZA folder in CD-ROM.  
 xx: country code, yyy: revision number  
 "xx" and "yyy" vary depending on the country version. You can find them in the batch file, PQZZ- mentioned in **JIG and PC**.  
 (\*3) xx xx xx xx xx: Base ID, Enter ID you read in step1.

### 1.3.2. Replace BBIC of handset

1. Read id: Execute the command "readid". (Writing it down on a memo pad is recommend.)
2. Default batch file: Execute the command "DefaultEEP".
3. Replace BBIC from 2247ZA to 2366ZA.
4. Write id: Execute the command "writeid xx xx xx xx xx". (\*6)
5. Default bat file: Execute the command "TG16XX\_PP\_DEF\_yyy.bat". (\*5)
6. Melody Initialize batch file: Execute the command "Melody\_008".
7. Country version batch file: Execute the command "TG16XX\_PP\_xx\_yyy.bat". (\*5)
8. Compare: Execute the command "Compare.bat refTG16XX\_PP\_xx\_yyy.txt". (\*5)
9. If all EEPROM data are correct, then you can see "OK!/sum=xxxx". (depends on each country)
10. Clock adjustment: Refer to Check Point (H). (\*4)
11. 4.0 V setting and battery low detection: Refer to Check Point (A), (F) and (G). (\*4)

#### Note:

- (\*4) Refer to **Check Point (Handset)** of service manual.  
 (\*5) Use 2366ZA folder in CD-ROM.  
 xx: country code, yyy: revision number  
 "xx" and "yyy" vary depending on the country version. You can find them in the batch file, PQZZ- mentioned in **JIG and PC**.  
 (\*6) xx xx xx xx xx: Base ID, Enter ID you read in step1.



YS1  
 KXTG1611SPC KXTG1611SPF KXTG1611SPH  
 KXTG1611SPR KXTG1611SPW KXTG1612SP1  
 KXTG1612SPR KXTG1613SPH KXTG1711SPB  
 KXTGA161EXC KXTGA161EXF KXTGA161EXH  
 KXTGA161EXR KXTGA161EXW KXTGA171EXB